

# EDCON-COMPONENTS



## Specifications

### Features

Plastic Package has Underwriters Laboratory Flamability Classification 94V-0  
 This Serie is UL listed under Recognized Component Index file number E252843  
 High surge current capability

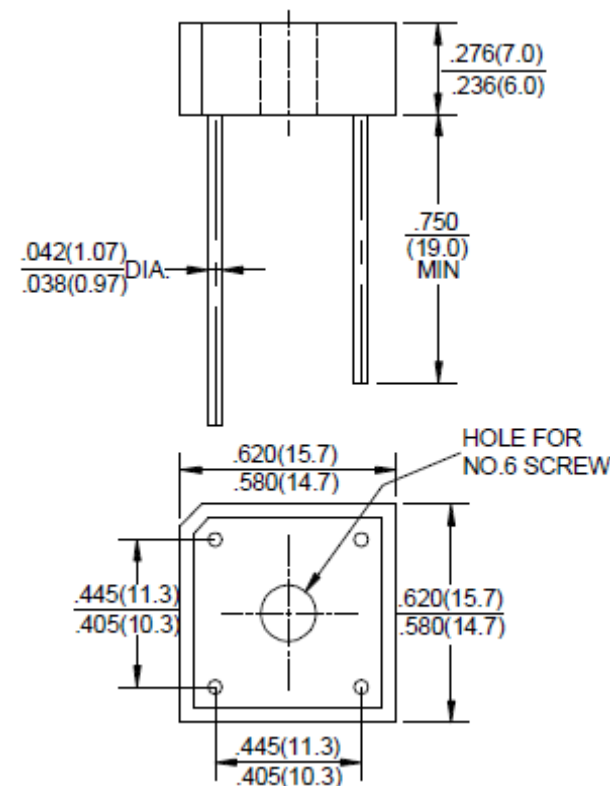
### Mechanical Data

Case: Molded plastic body  
 Terminals: plated leads solderable per MIL-STD-750, Method 2026  
 Polarity: Polarity symbols marked on body  
 Weight: 7,0gr.

### Maximum Ratings & Electrical Characteristics Ratings at 25°C ambient temperature

|  | Sym bols   | KBPC 6005        | KBPC 601 | KBPC 602 | KBPC 604 | KBPC 606 | KBPC 608 | KBPC 610 | Unit |
|--|------------|------------------|----------|----------|----------|----------|----------|----------|------|
| Maximum reecurrent peak reverse Voltage                | VRRM       | 50               | 100      | 200      | 400      | 600      | 800      | 1000     | Volt |
| Maximum rms Input voltage                              | VRMS       | 35               | 70       | 140      | 280      | 420      | 560      | 700      | Volt |
| Maximum dc blocking Voltage                            | VDC        | 50               | 100      | 200      | 400      | 600      | 800      | 1000     | Volt |
| Maximum average forward output rectified TA=100°C      | I(AV)      | 6,0              |          |          |          |          |          |          | Amps |
| Peak forward surge current 8,3ms single half sine-wave | IFSM       | 150              |          |          |          |          |          |          | Amps |
| Maximum forward voltage                                | VF         | 1,10             |          |          |          |          |          |          | Volt |
| Maximum revese voltage TA=25°C                         | IR         | 10               |          |          |          |          |          |          | µA   |
| Maximum revese voltage TA=125°C                        | IR         | 500              |          |          |          |          |          |          | µA   |
| Operating and storage temperature range                | TJ<br>TSTG | -55°C to + 150°C |          |          |          |          |          |          | °C   |
|  |            |                  |          |          |          |          |          |          |      |
|  |            |                  |          |          |          |          |          |          |      |

## Technical Drawing (Unit: inch(mm))



**QUAD Bridge Rectifier 6A**

EDCON-Ser. **E19002**

International Serie: **KBPC6xx**

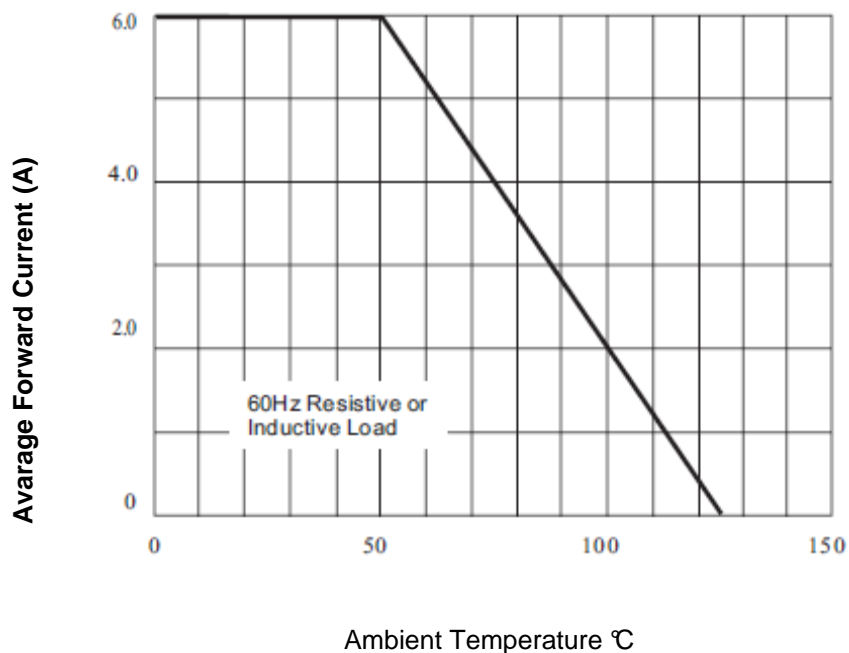
DRW: Jason CHKD Wilson MATL: Wilson TOLERANCE Mason DATE 10.05.2010  
 APPD: Schumi FINISH Jamy Sheet No. 1 from 5

# EDCON-COMPONENTS

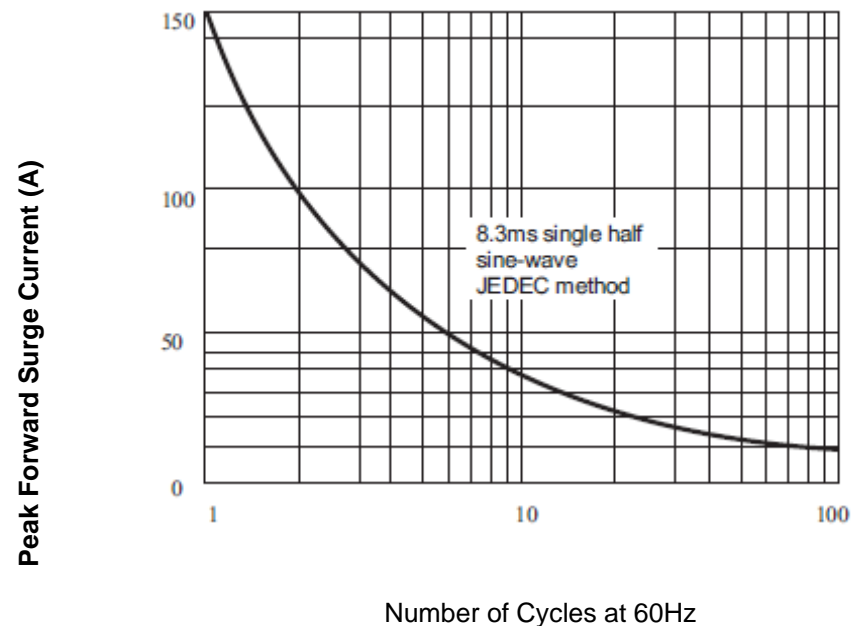


Rating & Characteristics Curves (TA=25°C unless otherwise noted)

Derating Curve for Output Rectified Current



Maximum NON Repetitive Forward Surge Current



**QUAD Bridge Rectifier 6A**

EDCON-Ser. **E19002**

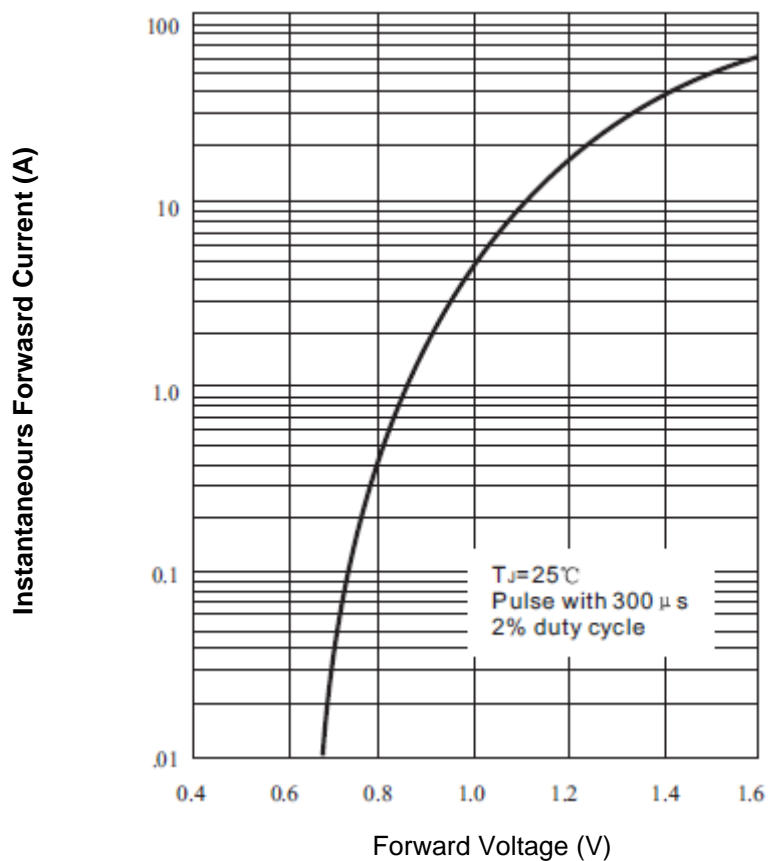
International Serie: **KBPC6xx**

|       |        |      |        |        |        |           |           |          |            |
|-------|--------|------|--------|--------|--------|-----------|-----------|----------|------------|
| DRW:  | Jason  | CHKD | Wilson | MATL:  | Wilson | TOLERANCE | Mason     | DATE     | 10.05.2010 |
| APPD: | Schumi |      |        | FINISH | Jamy   |           | Sheet No. | 2 from 5 |            |

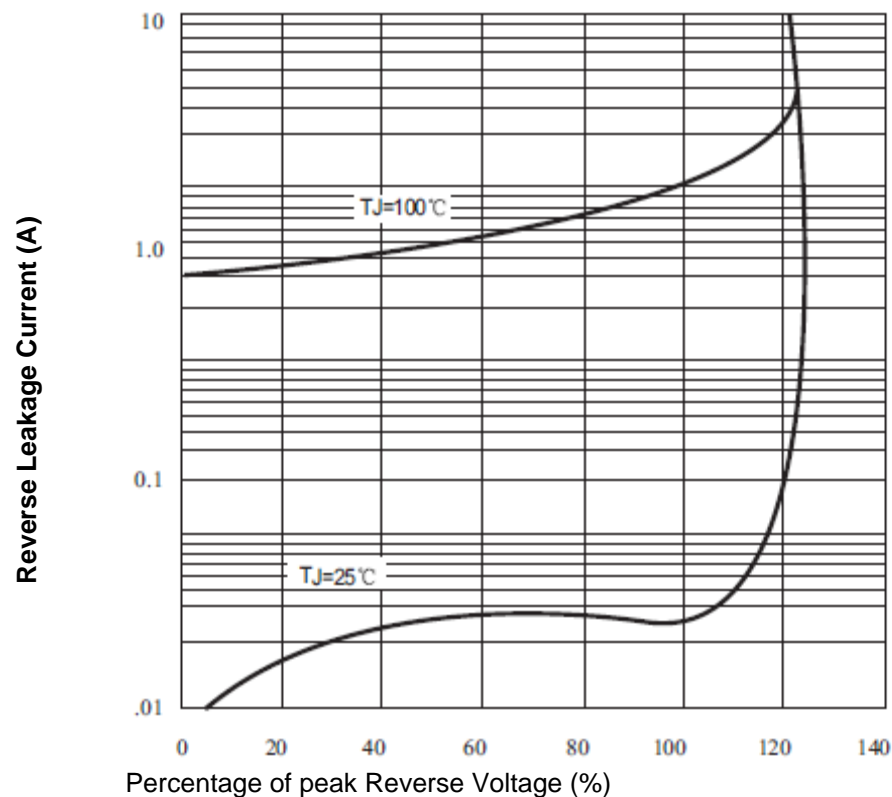


## Rating & Characteristics Curves (TA=25°C unless otherwise noted)

### Typical Forward Characteristics



### Typical Reverse Characteristics



**QUAD Bridge Rectifier 6A**

EDCON-Ser. **E19002**

International Serie: **KBPC6xx**

|       |        |      |        |        |        |           |           |          |            |
|-------|--------|------|--------|--------|--------|-----------|-----------|----------|------------|
| DRW:  | Jason  | CHKD | Wilson | MATL:  | Wilson | TOLERANCE | Mason     | DATE     | 10.05.2010 |
| APPD: | Schumi |      |        | FINISH | Jamy   |           | Sheet No. | 3 from 5 |            |

# EDCON-COMPONENTS



Rating & Characteristics Curves (TA=25°C unless otherwise noted)

## Ordering Informations

|               |                    |           |          |           |  |  |  |  |  |
|---------------|--------------------|-----------|----------|-----------|--|--|--|--|--|
| EDCON Serie   | International Type | Lead wire | ROHS     | Package   |  |  |  |  |  |
| <b>E19002</b> | <b>KBPC6xx</b>     | <b>LL</b> | <b>R</b> | <b>BX</b> |  |  |  |  |  |

|                         |                             |                             |                 |
|-------------------------|-----------------------------|-----------------------------|-----------------|
| Look Voltage Code Table | <b>LL</b> = Long Lead       | <b>R</b> = ROHS Conform     | <b>BX</b> = Box |
|                         | <b>L4</b> = Lead Length 4mm | <b>N</b> = NON ROHS Conform |                 |

|                                 |                |
|---------------------------------|----------------|
| <b>QUAD Bridge Rectifier 6A</b> |                |
| EDCON-Ser.                      | <b>E19002</b>  |
| International Serie:            | <b>KBPC6xx</b> |

|       |        |      |        |        |        |           |           |      |            |
|-------|--------|------|--------|--------|--------|-----------|-----------|------|------------|
| DRW:  | Jason  | CHKD | Wilson | MATL:  | Wilson | TOLERANCE | Mason     | DATE | 10.05.2010 |
| APPD: | Schumi |      |        | FINISH | Jamy   |           | Sheet No. |      | 4 from 5   |



Soldering Profile Curve

Classification Reflow Profile (JEDEC J-STD-020C)



|                                 |                |
|---------------------------------|----------------|
| <b>QUAD Bridge Rectifier 6A</b> |                |
| EDCON-Ser.                      | <b>E19002</b>  |
| International Serie:            | <b>KBPC6xx</b> |

|       |        |      |        |        |        |           |           |          |            |
|-------|--------|------|--------|--------|--------|-----------|-----------|----------|------------|
| DRW:  | Jason  | CHKD | Wilson | MATL:  | Wilson | TOLERANCE | Mason     | DATE     | 10.05.2010 |
| APPD: | Schumi |      |        | FINISH | Jamy   |           | Sheet No. | 5 from 5 |            |