



DATA SHEET

MINI PCI Connector Pitch 0,8mm

Serie: T93001

MINI PCI Connector Pitch 0,8mm

Serie No.: **T93001**

Customer:

DRW:	Jason	CHKD	Wilson	MATL:	Wilson	TOLERANCE	Mason	DATE	30.01.2015
APPD:	Schumi			FINISH	Jamy		Sheet No.		1 from 7

EDCON-COMPONENTS



Specifications

Housing:	High Temperature Thermoplastic UL94V-0 Black
Contact:	Copper Alloy
Solder Tab:	Copper Alloy
Finish Contact Area:	Gold Flash over 40µ"min. Ni under plating overall
Finish Soldering Tab:	Tin plating

Order Code	Height	Stand-Off (mm)		
		A	B	H
0		3,3	2,8	5,2
1		3,7	3,2	5,6
2		4,9	4,4	6,8
3		6,1	5,6	8,0
4		7,3	6,8	9,2

No. of Pos.
52
56
68
80
92

MINI PCI Connector Pitch 0,8mm

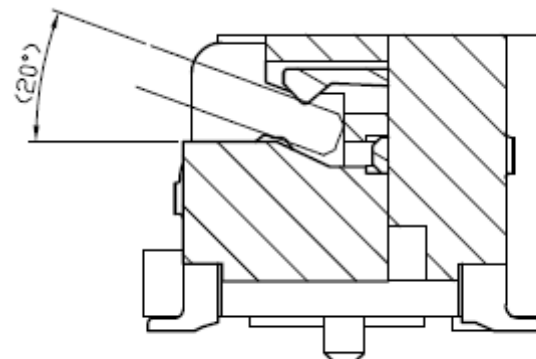
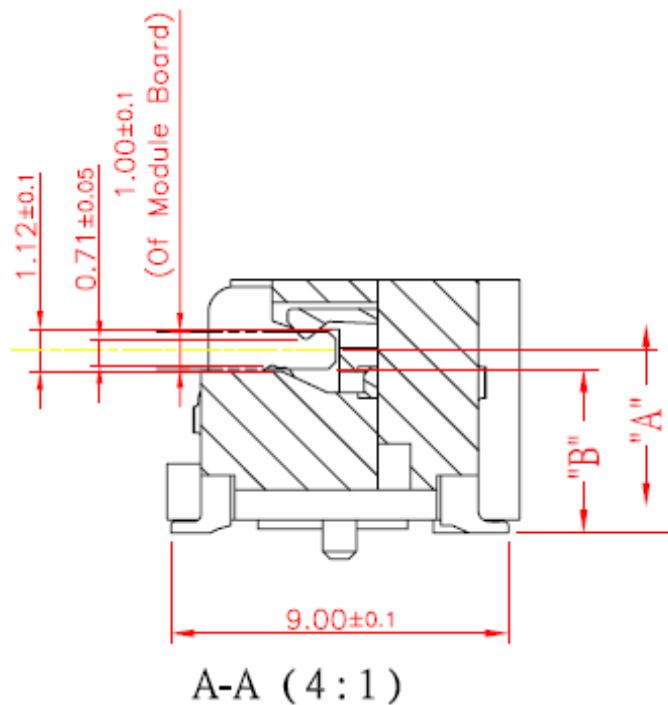
Part No.: **T93001**

DRW:	Jason	CHKD	Wilson	MATL:	Wilson	TOLERANCE	Mason	DATE	30.01.2015	Customer:
APPD:	Schumi			FINISH	Jamy		Sheet No.	2 from 7		

EDCON-COMPONENTS



Technical Drawing



Recommended Module Insertion Angle

MINI PCI Connector Pitch 0,8mm

Part No.: **T93001**

Customer:

DRW:	Jason	CHKD	Wilson	MATL:	Wilson	TOLERANCE	Mason	DATE	30.01.2015
APPD:	Schumi			FINISH	Jamy		Sheet No.	3 from 7	

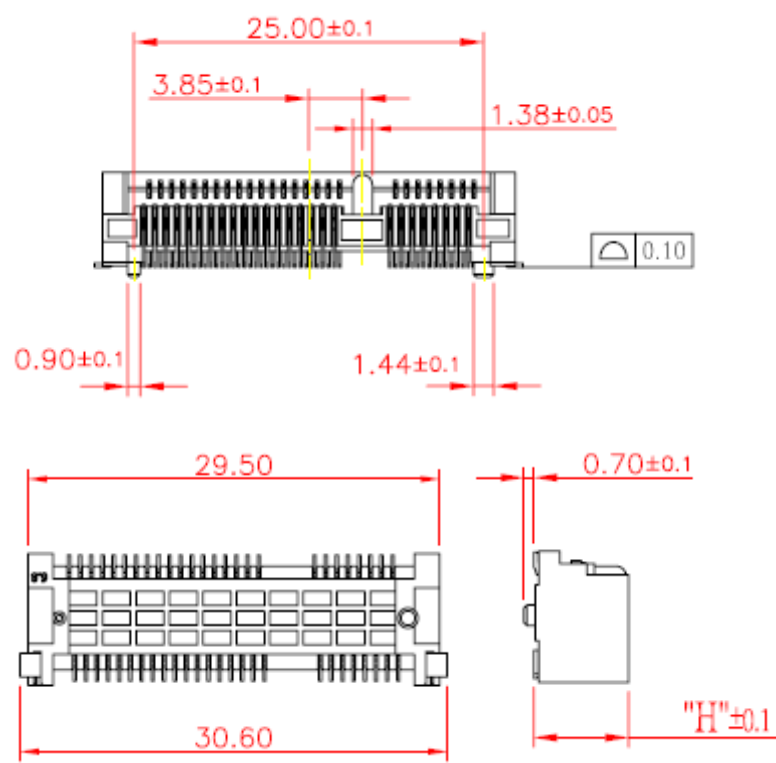
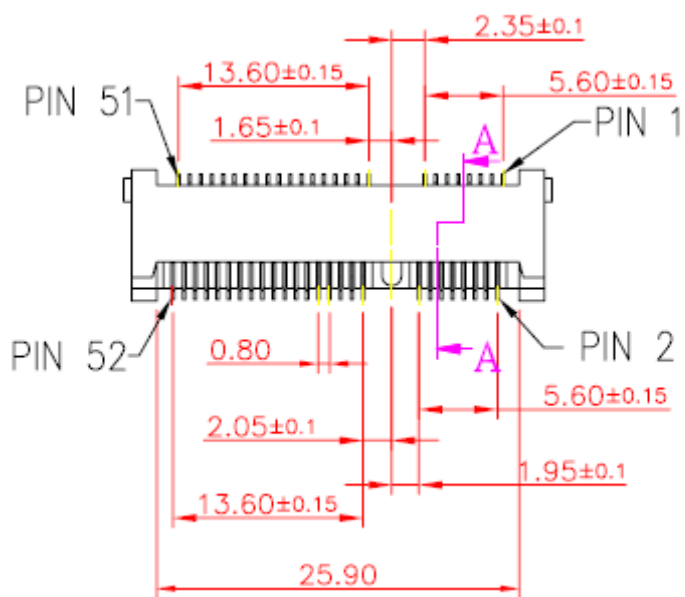
www.edcon-components.com

email: info@edcon-components.com

EDCON-COMPONENTS



Technical Drawing



MINI PCI Connector Pitch 0,8mm	
Part No.:	T93001
Customer:	

DRW:	Jason	CHKD	Wilson	MATL:	Wilson	TOLERANCE	Mason	DATE	30.01.2015
APPD:	Schumi			FINISH	Jamy		Sheet No.	4 from 7	

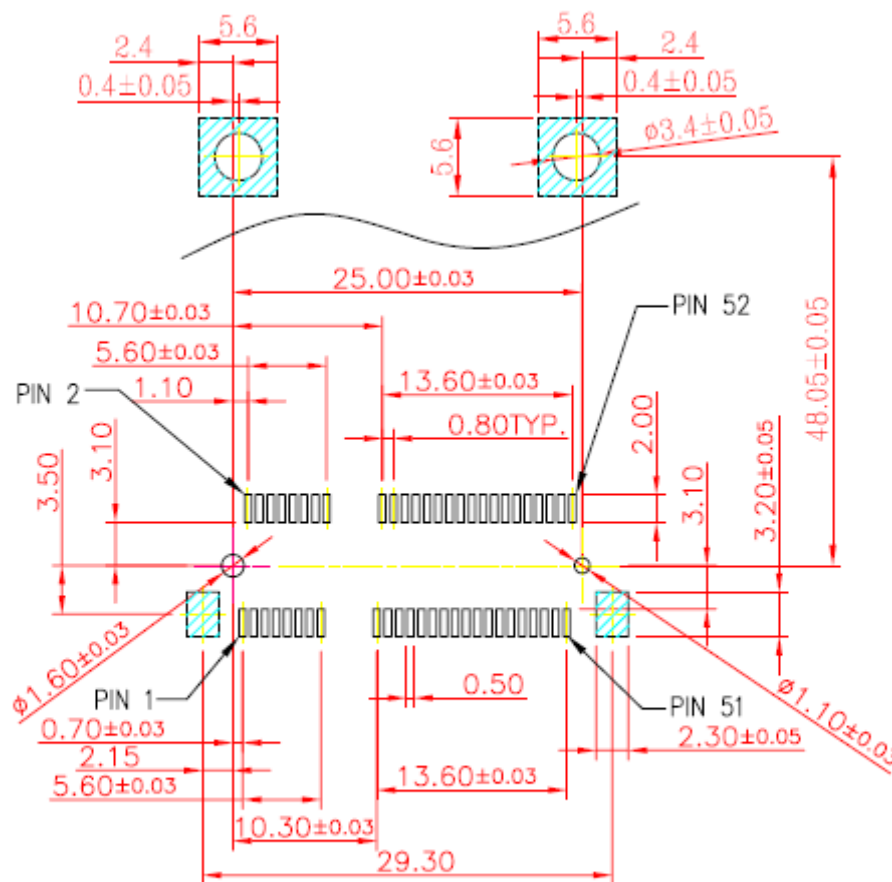
www.edcon-components.com

email: info@edcon-components.com

EDCON-COMPONENTS



PCB Layout



Recommended P.C.Board Layout.
FOR STAND OFF TYPE

MINI PCI Connector Pitch 0,8mm

Part No.: **T93001**

Customer:

DRW:	Jason	CHKD	vwison	MATL:	vwison	TOLERANCE	vwison	DATE	30.01.2015
APPD:	Schumi			FINISH	Jamy		Sheet No.	5 from 7	

www.edcon-components.com

email: info@edcon-components.com

EDCON-COMPONENTS



Ordering Informations

Serie	No. of Pos.	Contact Plating	Stand off Height	Special function	Special function	ROHS	Packing Code			
-------	-------------	-----------------	------------------	------------------	------------------	------	--------------	--	--	--

T93001	52	GF	0	N	N	R	TR			
---------------	-----------	-----------	----------	----------	----------	----------	-----------	--	--	--

Look table No. of Pos.	GF= Gold Flash	0= 5,2mm	N= No function	N= No function	R= ROHS Conform	TY= Tray Packing
	TN= Tin	1= 5,6mm			N= NON ROHS Conform	TR= Tape Reel
		2= 6,8mm				
		3= 8,0mm				
		4= 9,2mm				

MINI PCI Connector Pitch 0,8mm

Part No.: **T93001**

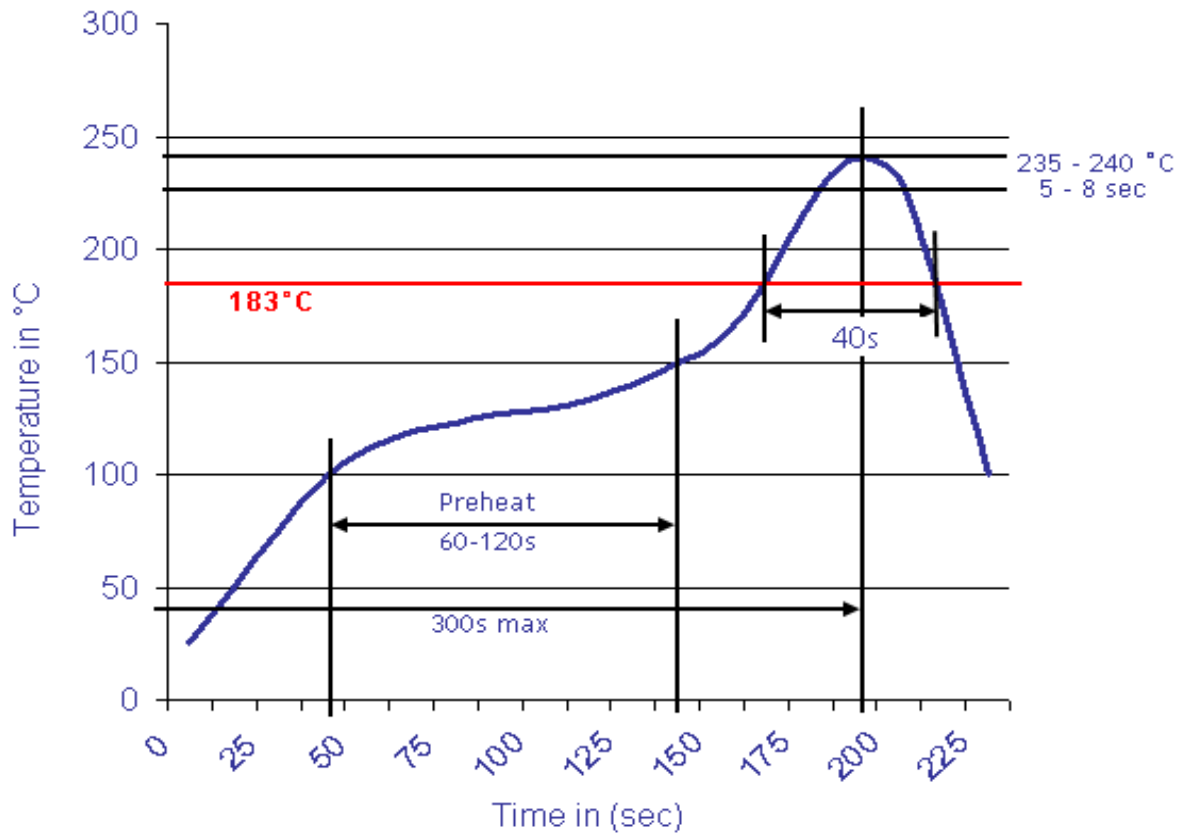
DRW:	Jason	CHKD	Wilson	MATL:	Wilson	TOLERANCE	Mason	DATE	30.01.2015
APPD:	Schumi			FINISH	Jamy			Sheet No.	6 from 7

Customer:



Soldering Profile Curve

Classification Reflow Profile (JEDEC J-STD-020C)



MINI PCI Connector Pitch 0,8mm	
Part No.:	T93001
Customer:	

DRW:	Jason	CHKD	Wilson	MATL:	Wilson	TOLERANCE	Mason	DATE	30.01.2015
APPD:	Schumi			FINISH	Jamy		Sheet No.	7 from 7	

