

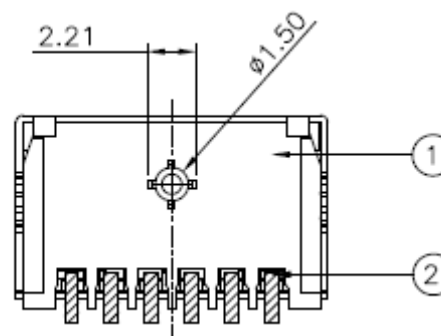
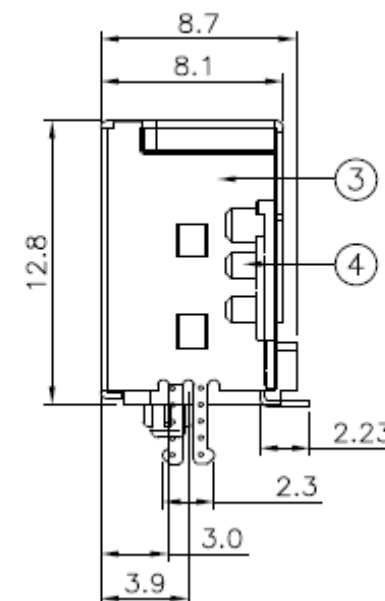
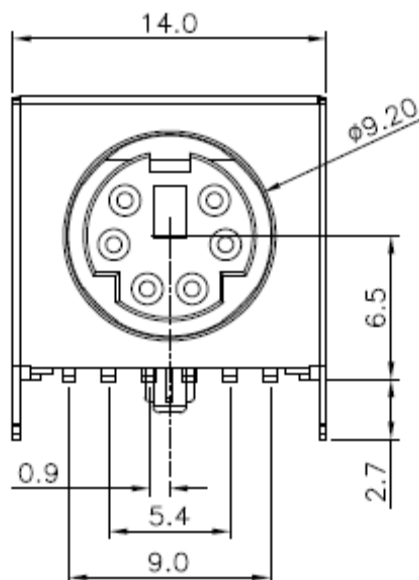
EDCON-COMPONENTS



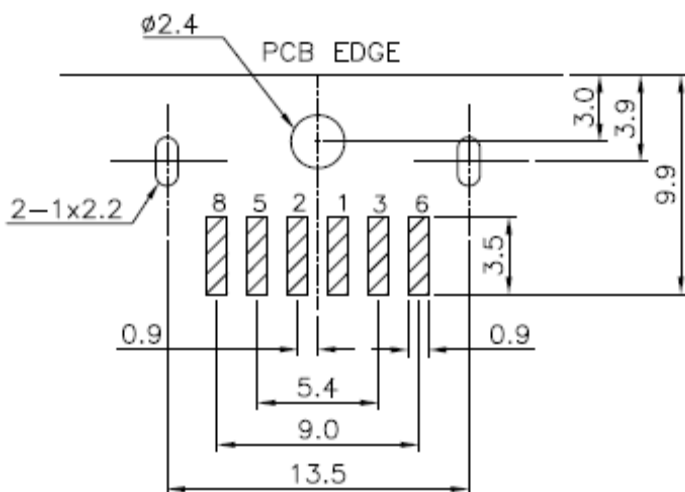
Specifications

Current Rating:	2,0A / 1,0A
Current Voltage:	DC12V / 100V
Insulation Resistance:	100M Ohm min. at 500VDC
Contact Resistance:	20milli Ω max.
Dielectric Voltage:	500V AC for one minute
Operating Temperature:	-40°C ~ to +105°C
Insulator Material:	Nylon PA9T + GF
Contact Pin:	Phosphor Bronze
Contact Plating:	1-3μ AU
Durability : Life-Test:	100cycles
Insertion Force:	4,0KG max.
Extraction Force:	0,9KG min.
Shield Material:	Brass T=0,3

Drawing



P.C.B Layout (mm) (±0,05mm) Bottom View



6POS-MINI-DIN SMT

Part No.: **T20G001**

Customer:

DRW:	Jason	CHKD	Wilson	MATL:	Wilson	TOLERANCE	Mason	DATE	30.05.2011
APPD:	Schumi			FINISH	Jamy		Sheet No.		1 from 3

EDCON-COMPONENTS



Ordering Informations

Serie	No. of Pos.	Contact Plating	Material	Color of Body	ROHS	Packing				
T20G001	6	G0	PA	BK	R	TY				

XX= total	G0= Gold Flash	PA= PA9T	BK= Black	N=NO ROHS conform	BU= Bulk
					TU= Tube
				R=ROHS conform	TY= Tray Packing

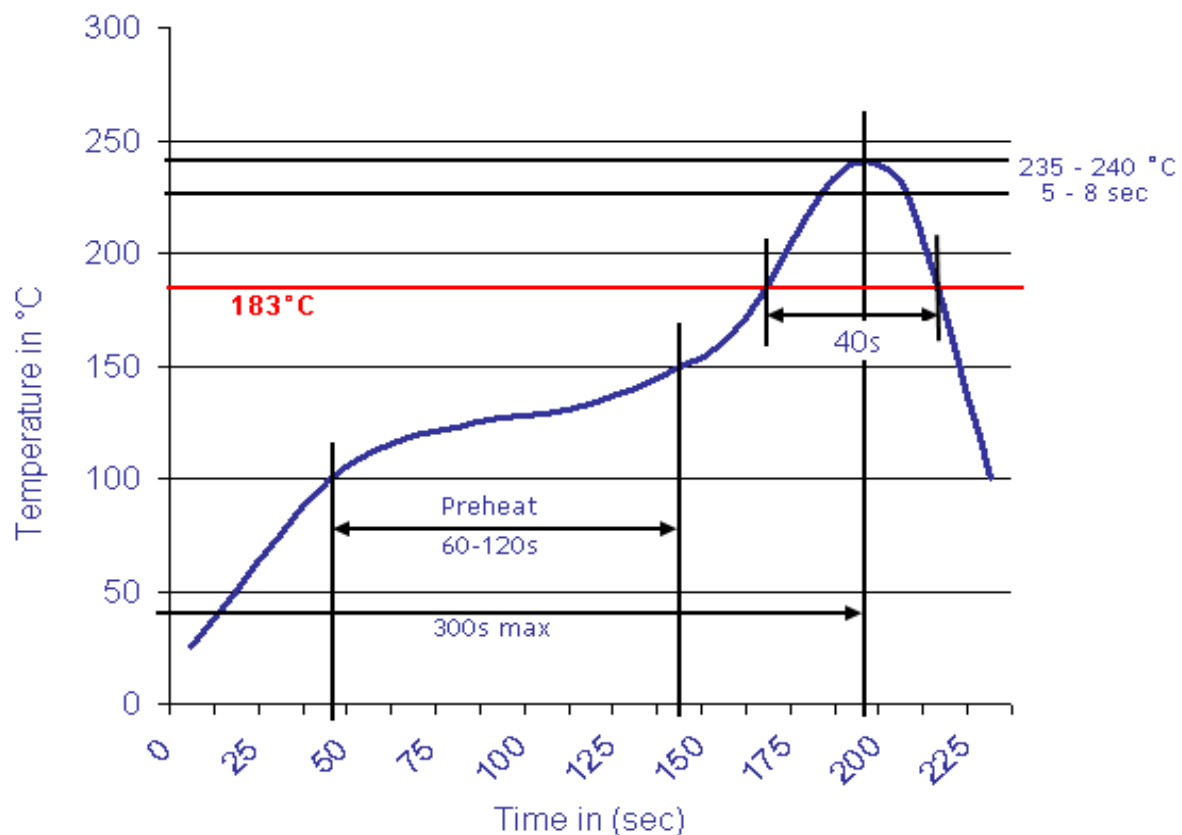
6POS-MINI-DIN SMT
Part No.: T20G001
Customer:

DRW:	Jason	CHKD	Wilson	MATL:	Wilson	TOLERANCE	Mason	DATE	30.05.2011
APPD:	Schumi			FINISH	Jamy		Sheet No.		2 from 3



Soldering Profile Curve

Classification Reflow Profile (JEDEC J-STD-020C)



6POS-MINI-DIN SMT	
Part No.:	T20G001
Customer:	

DRW:	Jason	CHKD	Wilson	MATL:	Wilson	TOLERANCE	Mason	DATE	30.05.2011
APPD:	Schumi			FINISH	Jamy		Sheet No.	3 from 3	