



DATA SHEET

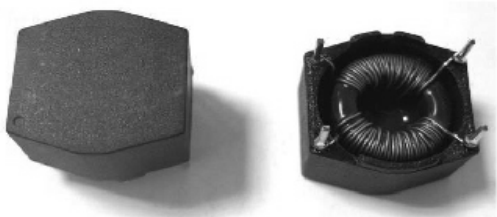
EMC/EMI Current Compensated Choke

Serie: F13030

EMC/EMI Current Compensated Choke	
Serie No.:	F13030
Customer:	

DRW:	Jason	CHKD	Wilson	MATL:	Wilson	TOLERANCE	Mason	DATE	31.05.2018
APPD:	Schumi			FINISH	Jamy		Sheet No.		1 from 5

EDCON-COMPONENTS



Technical Description

Features:

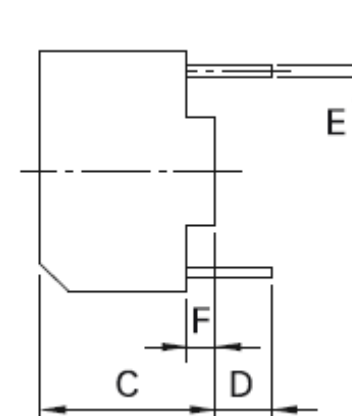
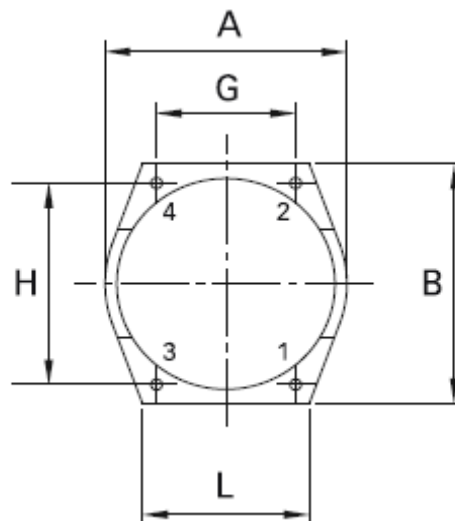
- Dual-Choke configuration
- Small compact design
- Multiple housing options
- Customs-specification available on request

Application:

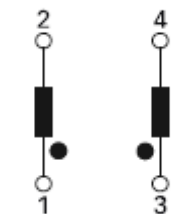
- Phase-angle control circuits in combination with saturating chokes.
- EMI input filters
- Suppressing high interference levels

Dimensions & Configuration (mm)

Size Type	A	B	C	D	E	F	G	H
F13030	41,8	43,0	25,0	4,5	1,2	3,4	15,0	40,0



Schematic



EMC/EMI Current Compensated Choke

Part No.: **F13030**

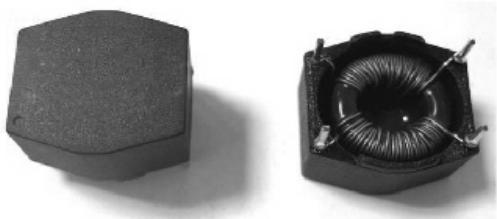
Customer:

Tolerance (mm)

X=	X.X=	X.XX=	X.XXX=	Angle
±0,35	±0,25	±0,20	±0,15	±5°

DRW:	Jason	Manual	Wilson	MATL:	Wilson	TOLERANCE	Mason	DATE	31.05.2018
APPD:	Schumi			FINISH	Jamy		Sheet No.		2 from 5

EDCON-COMPONENTS



Electrical Characteristics Table

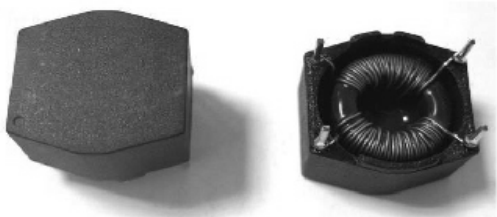
Ordering Range	Inductance (mH)	DCR (max.) (mΩ)	IDC(max.) (A)		
683	68	1300	1,0		
183	18	350	2,0		
682	6,8	87	4,0		
392	3,9	41	6,0		
272	2,7	22	8,0		
182	1,8	14	10,0		

customs Range
welcome

EMC/EMI Current Compensated Choke	
Part No.:	F13030
Customer:	

DRW:	Jason	CHKD	Wilson	MATL:	Wilson	TOLERANCE	Mason	DATE	31.05.2018
APPD:	Schumi			FINISH	Jamy		Sheet No.		3 from 5

EDCON-COMPONENTS



Ordering Informations

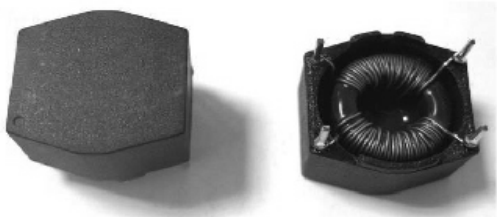
Customer	Ordering Code	Special function	Special function	ROHS	Packing Code					
----------	---------------	------------------	------------------	------	--------------	--	--	--	--	--

F13030	683	N	N	R	TY					
---------------	------------	----------	----------	----------	-----------	--	--	--	--	--

683 = 68mH other Ranges like Table	N= No special function	N= No special function	R= ROHS Conform	TY= Tray Package
			N= NON ROHS Conform	IV= Individual Package

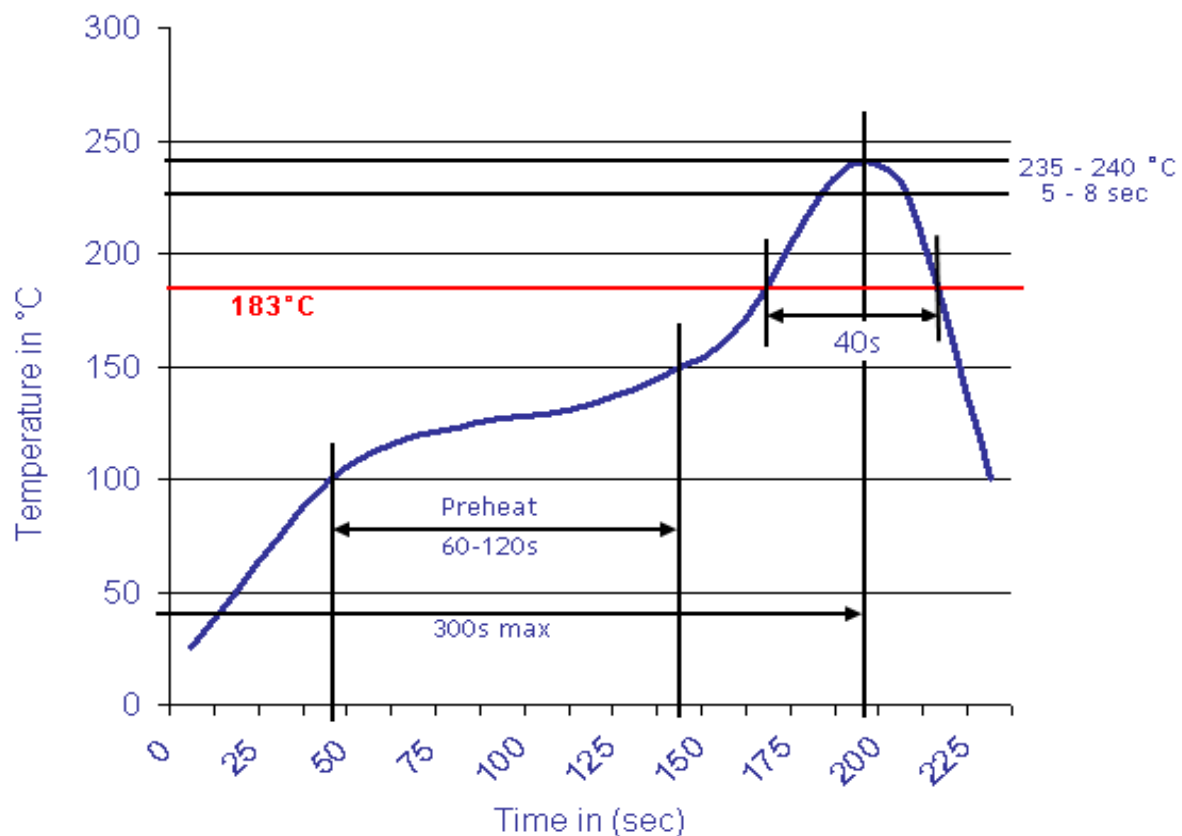
EMC/EMI Current Compensated Choke	
Part No.:	F13030
Customer:	

DRW:	Jason	CHKD	Wilson	MATL:	Wilson	TOLERANCE	Mason	DATE	31.05.2018
APPD:	Schumi	HCC102		FINISH	Jamy		Sheet No.		4 from 5



Soldering Profile Curve

Classification Reflow Profile (JEDEC J-STD-020C)



EMC/EMI Current Compensated Choke	
Part No.:	F13030
Customer:	

DRW:	Jason	CHKD	Wilson	MATL:	Wilson	TOLERANCE	Mason	DATE	31.05.2018
APPD:	Schumi			FINISH	Jamy		Sheet No.		5 from 5