



# DATA SHEET

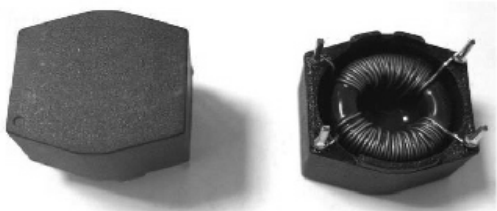
## EMC/EMI Current Compensated Choke

### Serie: F13028

<b>EMC/EMI Current Compensated Choke</b>	
Serie No.:	<b>F13028</b>
Customer:	

DRW:	Jason	CHKD	Wilson	MATL:	Wilson	TOLERANCE	Mason	DATE	31.05.2018
APPD:	Schumi			FINISH	Jamy		Sheet No.		1 from 5

# EDCON-COMPONENTS



## Technical Description

### Features:

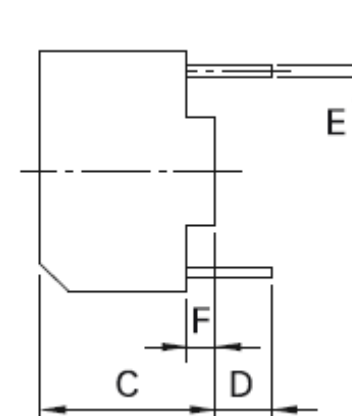
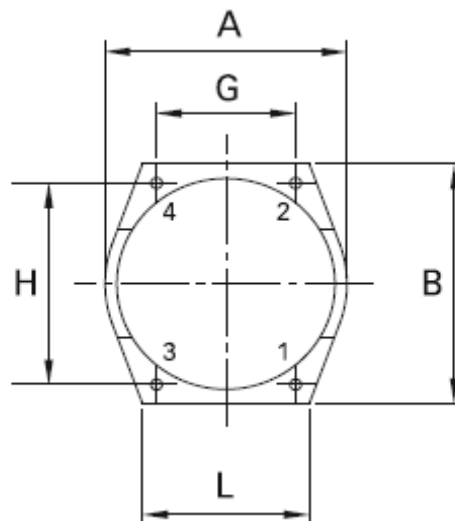
- Dual-Choke configuration
- Small compact design
- Multiple housing options
- Customs-specification available on request

### Application:

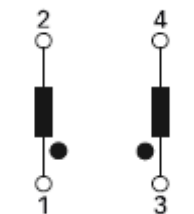
- Phase-angle control circuits in combination with saturating chokes.
- EMI input filters
- Suppressing high interference levels

## Dimensions & Configuration (mm)

Size Type	A	B	C	D	E	F	G	H
F13028	32,5	33,1	19,7	4,3	0,8	2,0	20,0	30,0



## Schematic



### Tolerance (mm)

X=	X.X=	X.XX=	X.XXX=	Angle
±0,35	±0,25	±0,20	±0,15	±5°

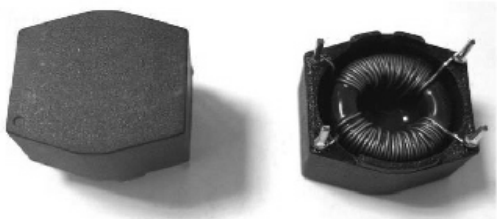
### EMC/EMI Current Compensated Choke

Part No.: **F13028**

Customer:

DRW:	Jason	Manual	Wilson	MATL:	Wilson	TOLERANCE	Mason	DATE	31.05.2018
APPD:	Schumi			FINISH	Jamy		Sheet No.		2 from 5

# EDCON-COMPONENTS



Electrical Characteristics Table

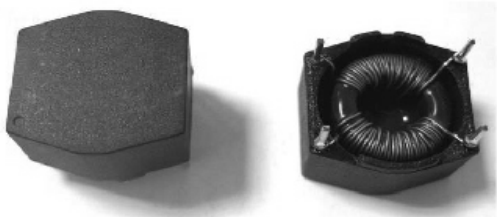
Ordering Range	Inductance (mH)	DCR (max.) (mΩ)	IDC(max.) (A)		
823	82	2700	0,5		
333	33	810	1,0		
273	27	500	1,4		
682	6,8	190	2,0		
332	3,3	66	4,0		
182	1,8	20	6,0		

customs Range  
welcome

<b>EMC/EMI Current Compensated Choke</b>	
Part No.:	<b>F13028</b>
Customer:	

DRW:	Jason	CHKD	Wilson	MATL:	Wilson	TOLERANCE	Mason	DATE	31.05.2018
APPD:	Schumi			FINISH	Jamy		Sheet No.		3 from 5

# EDCON-COMPONENTS



## Ordering Informations

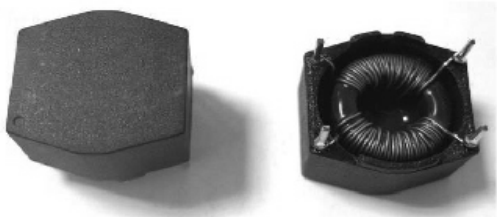
Customer	Ordering Code	Special function	Special function	ROHS	Packing Code					
----------	---------------	------------------	------------------	------	--------------	--	--	--	--	--

<b>F13028</b>	<b>823</b>	<b>N</b>	<b>N</b>	<b>R</b>	<b>TY</b>					
---------------	------------	----------	----------	----------	-----------	--	--	--	--	--

823 = 82mH other Ranges like Table	N= No special function	N= No special function	R= ROHS Conform	TY= Tray Package
			N= NON ROHS Conform	IV= Individual Package

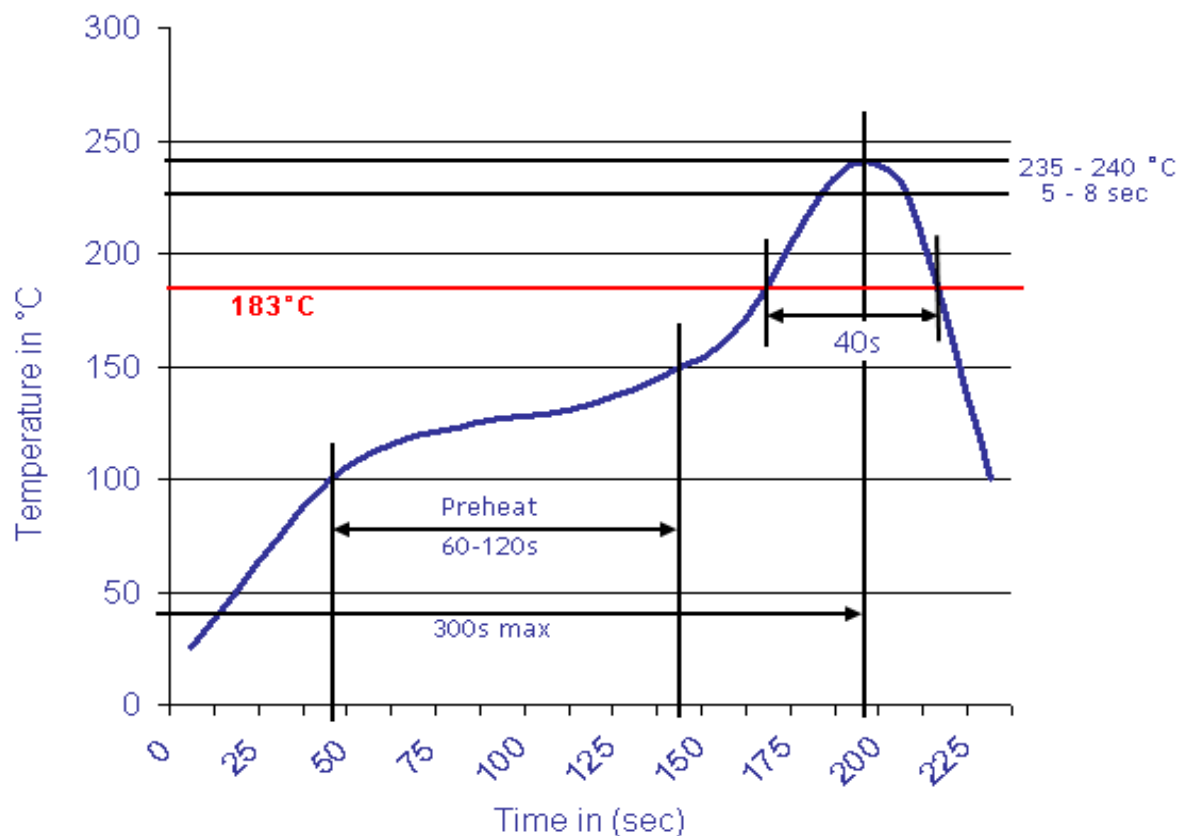
<b>EMC/EMI Current Compensated Choke</b>	
Part No.:	<b>F13028</b>
Customer:	

DRW:	Jason	CHKD	Wilson	MATL:	Wilson	TOLERANCE	Mason	DATE	31.05.2018
APPD:	Schumi	HCC102		FINISH	Jamy		Sheet No.		4 from 5



Soldering Profile Curve

Classification Reflow Profile (JEDEC J-STD-020C)



<b>EMC/EMI Current Compensated Choke</b>	
Part No.:	<b>F13028</b>
Customer:	

DRW:	Jason	CHKD	Wilson	MATL:	Wilson	TOLERANCE	Mason	DATE	31.05.2018
APPD:	Schumi			FINISH	Jamy		Sheet No.		5 from 5