



DATA SHEET

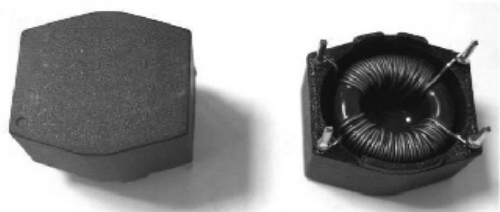
EMC/EMI Current Compensated Choke

Serie: F13027

EMC/EMI Current Compensated Choke	
Serie No.:	F13027
Customer:	

DRW:	Jason	CHKD	Wilson	MATL:	Wilson	TOLERANCE	Mason	DATE	31.05.2018
APPD:	Schumi			FINISH	Jamy		Sheet No.		1 from 5

EDCON-COMPONENTS



Technical Description

Features:

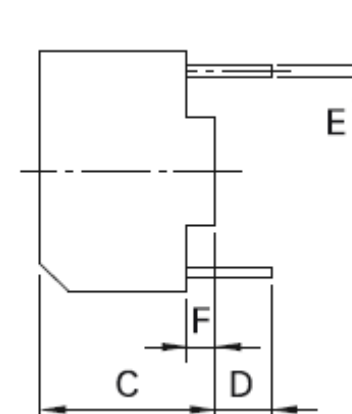
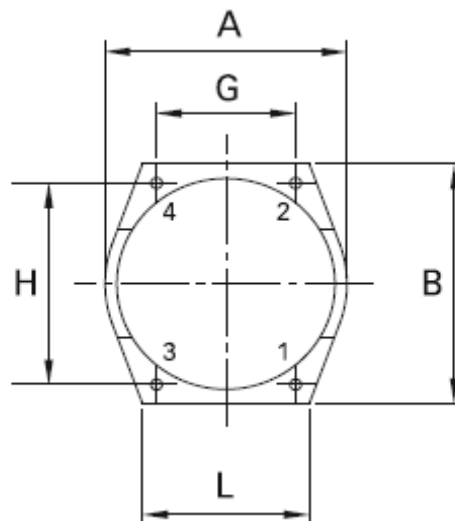
- Dual-Choke configuration
- Small compact design
- Multiple housing options
- Customs-specification available on request

Application:

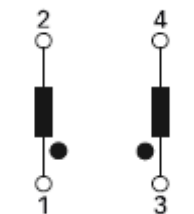
- Phase-angle control circuits in combination with saturating chokes.
- EMI input filters
- Suppressing high interference levels

Dimensions & Configuration (mm)

Size Type	A	B	C	D	E	F	G	H
F13027	27,5	27,5	17,5	4,0	0,7	2,0	15,0	25,0



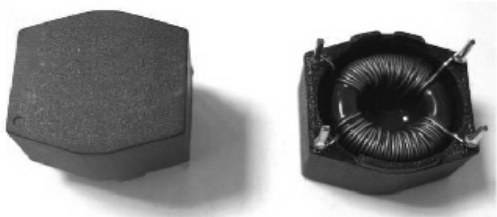
Schematic



Tolerance (mm)					Angle	Part No.: F13027
X=	X.X=	X.XX=	X.XXX=	±5°		
±0,35	±0,25	±0,20	±0,15		Customer:	

DRW:	Jason	Manual	Wilson	MATL:	Wilson	TOLERANCE	Mason	DATE	31.05.2018
APPD:	Schumi			FINISH	Jamy		Sheet No.		2 from 5

EDCON-COMPONENTS



Electrical Characteristics Table

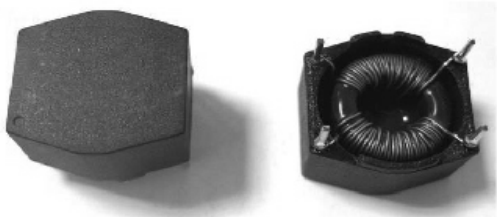
Ordering Range	Inductance (mH)	DCR (max.) (mΩ)	IDC(max.) (A)		
473	47	1180	0,6		
393	39	1000	0,8		
183	18	610	1,0		
103	10	220	1,5		
682	6,8	147	2,0		
562	5,6	105	2,5		
452	4,5	80	3,0		
332	3,3	45	4,0		

customs Range
welcome

EMC/EMI Current Compensated Choke	
Part No.:	F13027
Customer:	

DRW:	Jason	CHKD	Wilson	MATL:	Wilson	TOLERANCE	Mason	DATE	31.05.2018
APPD:	Schumi			FINISH	Jamy		Sheet No.		3 from 5

EDCON-COMPONENTS



Ordering Informations

Customer	Ordering Code	Special function	Special function	ROHS	Packing Code					
----------	---------------	------------------	------------------	------	--------------	--	--	--	--	--

F13027	473	N	N	R	TY					
---------------	------------	----------	----------	----------	-----------	--	--	--	--	--

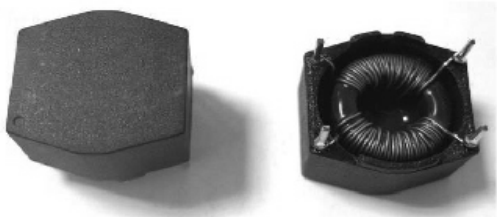
473 = 47mH other Ranges like Table	N= No special function	N= No special function	R= ROHS Conform	TY= Tray Package
			N= NON ROHS Conform	IV= Individual Package

EMC/EMI Current Compensated Choke	
Part No.:	F13027
Customer:	

DRW:	Jason	CHKD	Wilson	MATL:	Wilson	TOLERANCE	Mason	DATE	31.05.2018
APPD:	Schumi	HCC102		FINISH	Jamy		Sheet No.		4 from 5

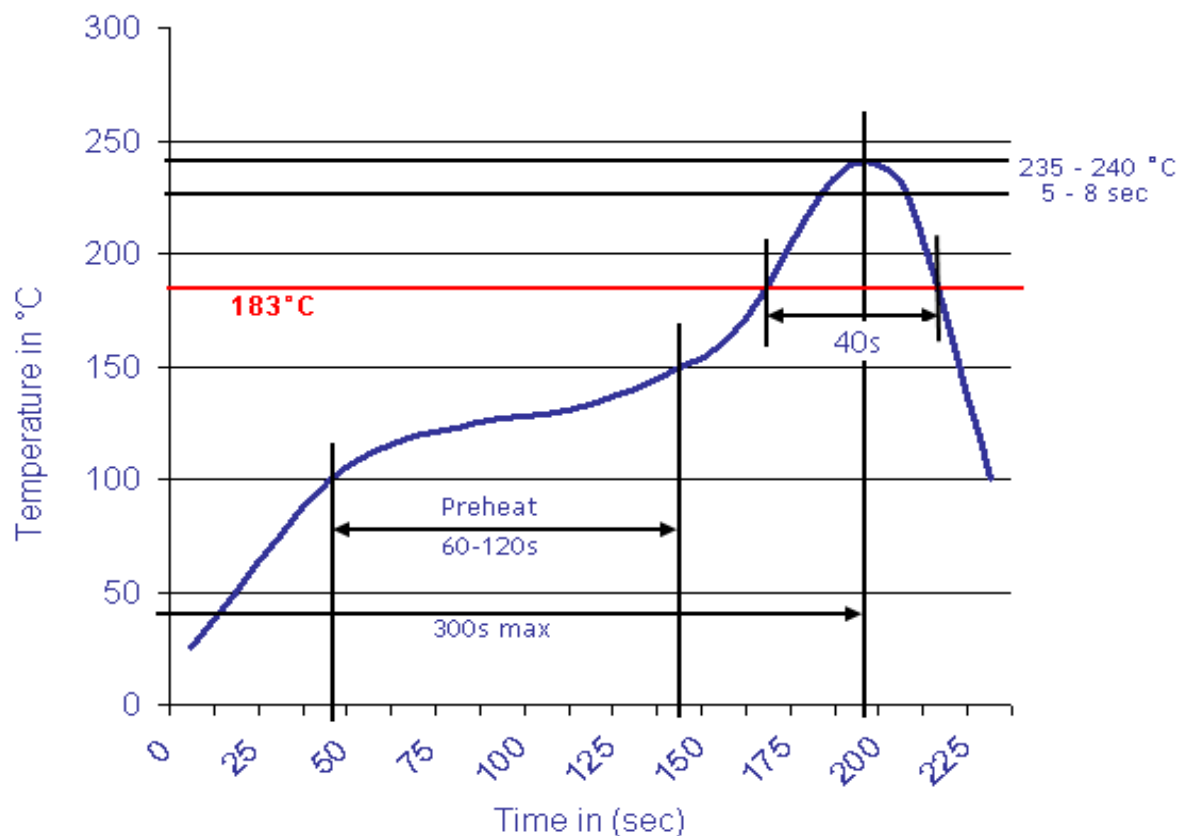
www.edcon-components.com

email: info@edcon-components.com



Soldering Profile Curve

Classification Reflow Profile (JEDEC J-STD-020C)



EMC/EMI Current Compensated Choke	
Part No.:	F13027
Customer:	

DRW:	Jason	CHKD	Wilson	MATL:	Wilson	TOLERANCE	Mason	DATE	31.05.2018
APPD:	Schumi			FINISH	Jamy		Sheet No.		5 from 5