



DATA SHEET

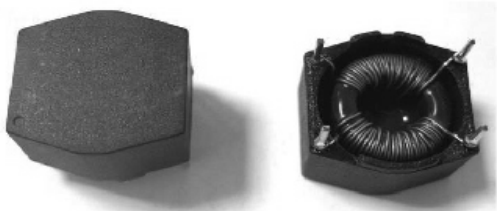
EMC/EMI Current Compensated Choke

Serie: F13026

EMC/EMI Current Compensated Choke	
Serie No.:	F13026
Customer:	

DRW:	Jason	CHKD	Wilson	MATL:	Wilson	TOLERANCE	Mason	DATE	31.05.2018
APPD:	Schumi			FINISH	Jamy		Sheet No.		1 from 5

EDCON-COMPONENTS



Technical Description

Features:

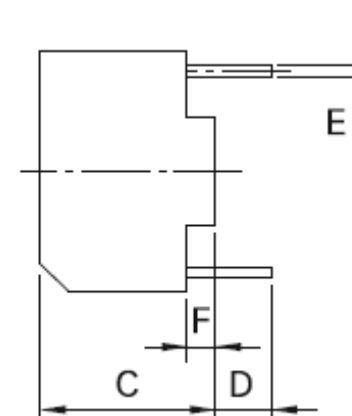
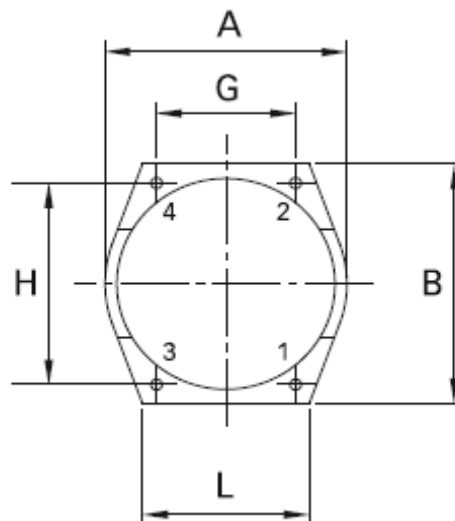
- Dual-Choke configuration
- Small compact design
- Multiple housing options
- Customs-specification available on request

Application:

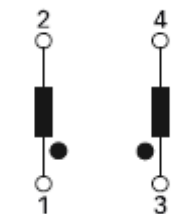
- Phase-angle control circuits in combination with saturating chokes.
- EMI input filters
- Suppressing high interference levels

Dimensions & Configuration (mm)

Size Type	A	B	C	D	E	F	G	H
F13026	21,5	22,5	13,2	4,0	0,7	2,0	12,5	20,0



Schematic



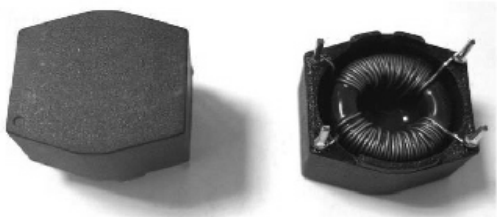
EMC/EMI Current Compensated Choke

Part No.: **F13026**

Customer:

					Tolerance (mm)				
DRW:	Jason	Manual	Wilson	MATL:	X=	X.X=	X.XX=	X.XXX=	Angle
APPD:	Schumi			FINISH	±0,35	±0,25	±0,20	±0,15	±5°
					Wilson	TOLERANCE	Mason	DATE	31.05.2018
					Jamy			Sheet No.	2 from 5

EDCON-COMPONENTS



Electrical Characteristics Table

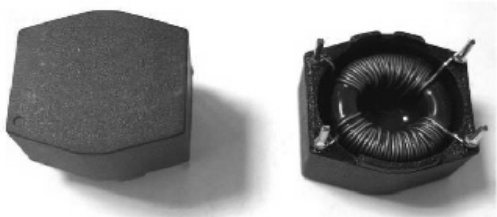
Ordering Range	Inductance (mH)	DCR (max.) (mΩ)	IDC(max.) (A)		
473	47	1750	0,3		
393	39	810	0,5		
273	27,0	500	0,8		
153	15	375	1,0		
103	10	200	1,2		
682	6,8	130	1,5		
422	4,2	102	2,0		
332	3,3	72	2,5		
202	2,0	55	3,0		
152	1,5	35	4,0		

customs Range
welcome

EMC/EMI Current Compensated Choke	
Part No.:	F13026
Customer:	

DRW:	Jason	CHKD	Wilson	MATL:	Wilson	TOLERANCE	Mason	DATE	31.05.2018
APPD:	Schumi			FINISH	Jamy		Sheet No.		3 from 5

EDCON-COMPONENTS



Ordering Informations

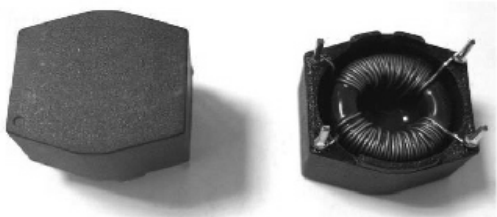
Customer	Ordering Code	Special function	Special function	ROHS	Packing Code					
----------	---------------	------------------	------------------	------	--------------	--	--	--	--	--

F13026	473	N	N	R	TY					
---------------	------------	----------	----------	----------	-----------	--	--	--	--	--

473 = 47mH other Ranges like Table	N= No special function	N= No special function	R= ROHS Conform	TY= Tray Package
			N= NON ROHS Conform	IV= Individual Package

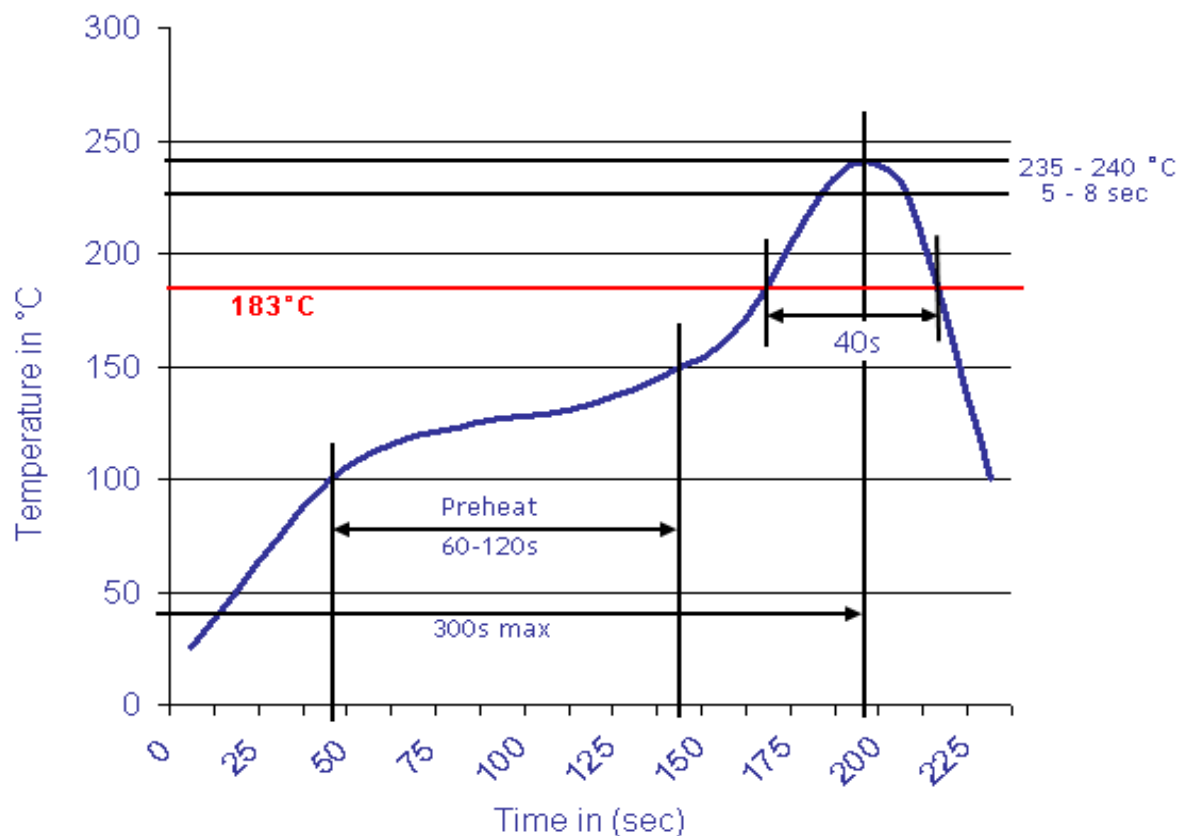
EMC/EMI Current Compensated Choke	
Part No.:	F13026
Customer:	

DRW:	Jason	CHKD	Wilson	MATL:	Wilson	TOLERANCE	Mason	DATE	31.05.2018
APPD:	Schumi	HCC102		FINISH	Jamy		Sheet No.		4 from 5



Soldering Profile Curve

Classification Reflow Profile (JEDEC J-STD-020C)



EMC/EMI Current Compensated Choke	
Part No.:	F13026
Customer:	

DRW:	Jason	CHKD	Wilson	MATL:	Wilson	TOLERANCE	Mason	DATE	31.05.2018
APPD:	Schumi			FINISH	Jamy		Sheet No.		5 from 5