



# DATA SHEET

## 18Watt Power Adapter / Charger Cable Type

**Serie: L41000**

**18Watt Power Adapter / Charger  
Cable Type**

Serie No.: **L41000**

DRW:	Jason	CHKD	Wilson	MATL:	Wilson	TOLERANCE	Mason	DATE	14.11.2010
APPD:	Schumi			FINISH	Jamy		Sheet No.		1 from 4

Customer:

# EDCON-COMPONENTS



## Features

Wall mounted Power Adapter/Charger  
 Compact structural design  
 Double insulated circuit  
 Over Current, over Voltage, Short circuit protection  
 Low standby power consumption, high efficiency  
 Energy star Level IV compliant  
 LED Indication

## Application

Wireless communications  
 Networking devices  
 Personal digital products

## Working Environment

Operating Temperature: . -5°C ~ +45°C  
 Storage Temperature: . -20°C ~ +70°C  
 Humidity: 35 ~ 85% RH

## Input Specifications

Input Voltage: 90 ~ 264VAC  
 Input Frequency: 47 ~ 63Hz  
 Input Current: 680ma(rms)@ 90 VAC  
 Inrush Current: <30A max. @240VAC  
 No load power consumption: 0,5Watt

## Output Specifications

Output Power: 18Watts  
 Efficiency: 80% min.  
 Ripple and Noise: 100mV  
 Hold-up Time: 50ms@full load, 120VAC  
 Hi-Pot 3000VAC/1min/5mA

## General Specifications

Leackage Current: 0,25mA max. @240VAC  
 Overcurrent Protection: Continuous, auto restart  
 Overvoltage Protection: 120%  
 Short Circuit Protection: Continuous, auto restart  
 Safety Standard: CE LVD EN60950-1:2006  
 UL:60950  
 CCC:GB4943-2001  
 CE/EN60950-1:2006  
 EN 55022:2006  
 EN 61000-3-2:2006  
 UL(UL 60950-1, 1st Edition  
 CSA C22.2 No. 60950  
 CCC (GB9254-1998)  
 FCC(47CFR FCC Part15 subpartB:2008

**18Watt Power Adapter / Charger  
 Cable Type**

Part No.: **L41000**

DRW:	Jason	CHKD	Wilson	MATL:	Wilson	TOLERANCE	Mason	DATE	14.11.2010
APPD:	Schumi			FINISH	Jamy		Sheet No.		1 from 5

Customer:

# EDCON-COMPONENTS



## Power Model Listing

Voltage Model Code	Voltage (V)	Current (mA)	
		Min.	Max.
A01	5,0	100	3000
A02	5,2	100	3000
A03	5,5	100	2800
A04	6,0	100	2800
A05	6,5	100	2700
A06	7,2	100	2500
A07	7,5	100	2400
A08	8,0	100	2200
A09	8,2	100	2100
A10	8,4	100	2100
A11	8,5	100	2000
A12	9,0	100	2000
A13	9,1	100	2000
A14	10,0	100	1800
A15	10,8	100	1600
A16	11,2	100	1600
A17	11,5	100	1600
A18	12,0	100	1500
A19	12,5	100	1400
A20	13,0	100	1300
A21	13,2	100	1300
A22	13,5	100	1300

Voltage Model Code	Voltage (V)	Current (mA)	
		Min.	Max.
A23	14,0	100	1200
A24	14,5	100	1200
A25	15,0	100	1200
A26	15,4	100	1100
A27	16,0	100	1100
A28	16,8	100	1100
A29	17,5	100	1000
A30	18,0	100	1000
A31	18,5	100	900
A32	19,0	100	900
A33	19,6	100	900
A34	20,0	100	900
A35	21,0	100	800
A36	21,6	100	800
A37	22,0	100	800
A38	22,6	100	800
A39	23,5	100	800
A40	24,0	100	800

Other Voltage Models and configuration are on request

18Watt Power Adapter / Charger Cable Type

DRW:	Jason	CHKD	Wilson	MATL:	Wilson	TOLERANCE	Mason	DATE	14.11.2010	Customer:
APPD:	Schumi			FINISH	Jamy		Sheet No.	2 from 5		

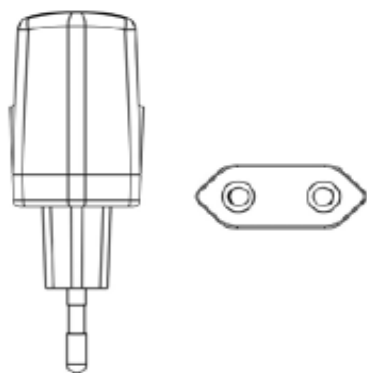
# EDCON-COMPONENTS



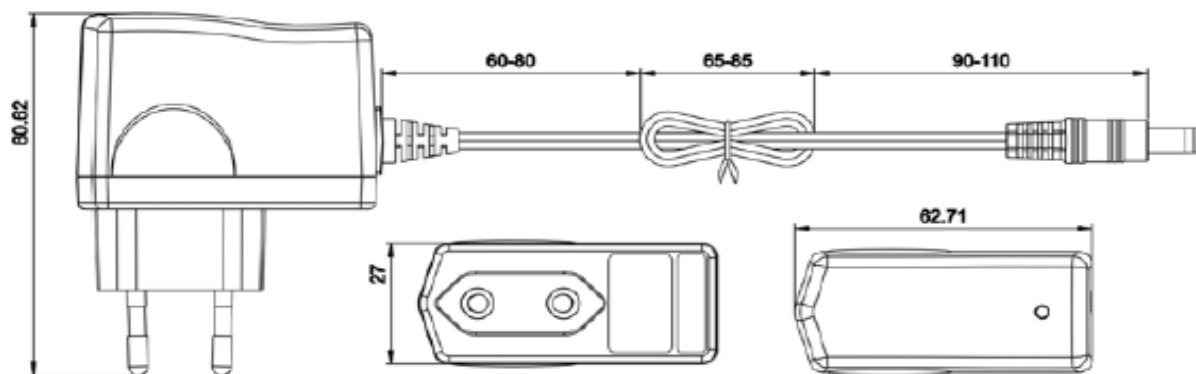
## Drawing & Technical Informations

EU= European Connector

UK= United Kingdom Connector



Mechanical Informations	
LxWxH	80x62,7x27mm
Weight	90gr. +/-10
Wire;	UL2468 22AWG+2C
Output Connector	DC-Plug



**18Watt Power Adapter / Charger  
Cable Type**

Part No.: **L41000**

DRW:	Jason	CHKD	Wilson	MATL:	Wilson	TOLERANCE	Mason	DATE	14.11.2010	Customer:
APPD:	Schumi			FINISH	Jamy		Sheet No.	3 from 5		

[www.edcon-components.com](http://www.edcon-components.com)

email: [info@edcon-components.com](mailto:info@edcon-components.com)

# EDCON-COMPONENTS



## DC-Connector Selection Table



**A01**

Outside 5,5 / Inside 2,1mm



**B03**

Outside 5,5 / Inside 2,1mm



**B01**

Outside 5,5 / Inside 2,5mm



**B04**

Outside 5,5 / Inside 2,5mm



**B02**

**18Watt Power Adapter / Charger Cable Type**

Part No.: **L41000**

DRW:	Jason	CHKD	Wilson	MATL:	Wilson	TOLERANCE	Mason	DATE	14.11.2010	Customer:
APPD:	Schumi			FINISH	Jamy		Sheet No.	4 from 5		

# EDCON-COMPONENTS



## Ordering Informations

Serie	Voltage Model Code	Wall Connector	Case Color	Cable Length	Cable Color	DC Connector	ROHS	Packing Code		
-------	--------------------	----------------	------------	--------------	-------------	--------------	------	--------------	--	--

<b>L41000</b>	-	<b>A01</b>	<b>EU</b>	<b>BK</b>	<b>1500</b>	<b>BK</b>	<b>B03</b>	<b>R</b>	<b>C</b>	
---------------	---	------------	-----------	-----------	-------------	-----------	------------	----------	----------	--

<b>A01=</b> Look Table Voltage Model Code	<b>EU=</b> Europa Connector	<b>BK=</b> Black Cover (Standard)	<b>1500=</b> 1500mm	<b>BK=</b> Black cable	<b>B03=</b> Connector Type B03	<b>R=</b> ROHS Conform <b>N=</b> NON ROHS Conform	<b>C=</b> Carton
	<b>US=</b> US Connector		<b>xxxx=</b> on request	<b>WH=</b> White cable			
	<b>UK=</b> United Kingdom Connector	<b>WH=</b> White Cover (MQO on request)					

**18Watt Power Adapter / Charger Cable Type**

Part No.: **L41000**

DRW:	Jason	CHKD	Wilson	MATL:	Wilson	TOLERANCE	Mason	DATE	14.11.2010
APPD:	Schumi			FINISH	Jamy		Sheet No.	5 from 5	

Customer: