



DATA SHEET

7,5Watt Power Adapter / Charger Cable Type

Serie: L38000

**7,5Watt Power Adapter / Charger
Cable Type**

Serie No.: **L38000**

DRW:	Jason	CHKD	Wilson	MATL:	Wilson	TOLERANCE	Mason	DATE	14.11.2010
APPD:	Schumi			FINISH	Jamy		Sheet No.		1 from 4

Customer:

EDCON-COMPONENTS



Features

Wall mounted Power Adapter/Charger
 Compact structural design
 Double insulated circuit
 Over Current, over Voltage, Short circuit protection
 Low standby power consumption, high efficiency
 Energy star Level IV compliant
 LED Indication

Application

Wireless communications
 Networking devices
 Personal digital products

Working Environment

Operating Temperature: . -5°C ~ +45°C
 Storage Temperature: . -20°C ~ +70°C
 Humidity: 35 ~ 85% RH

Input Specifications

Input Voltage: 90 ~ 264VAC
 Input Frequency: 47 ~ 63Hz
 Input Current: 300ma(rms)@ 90 VAC
 Inrush Current: <30A max. @240VAC
 No load power consumption: 0,5Watt

Output Specifications

Output Power: 7,5Watts
 Efficiency: 70% min.
 Ripple and Noise: 100mV
 Hold-up Time: 50ms@full load, 120VAC
 Hi-Pot 3000VAC/1min/5mA

General Specifications

Leakage Current: 0,25mA max. @240VAC
 Overcurrent Protection: Continuous, auto restart
 Overvoltage Protection: 120%
 Short Circuit Protection: Continuous, auto restart
 Safety Standard: CE LVD EN60950-1:2006
 UL:60950
 CCC:GB4943-2001
 CE/EN60950-1:2006
 EN 55022:2006
 EN 61000-3-2:2006
 UL(UL 60950-1, 1st Edition
 CSA C22.2 No. 60950
 CCC (GB9254-1998)
 FCC(47CFR FCC Part15 subpartB:2008

**7,5Watt Power Adapter / Charger
 Cable Type**

Part No.: **L38000**

DRW:	Jason	CHKD	Wilson	MATL:	Wilson	TOLERANCE	Mason	DATE	14.11.2010
APPD:	Schumi			FINISH	Jamy		Sheet No.		1 from 5

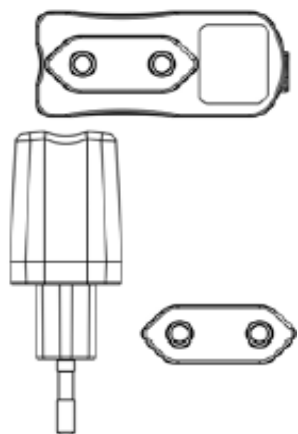
Customer:

EDCON-COMPONENTS

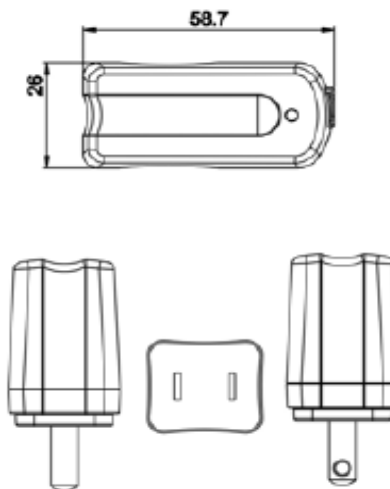


Drawing & Technical Informations

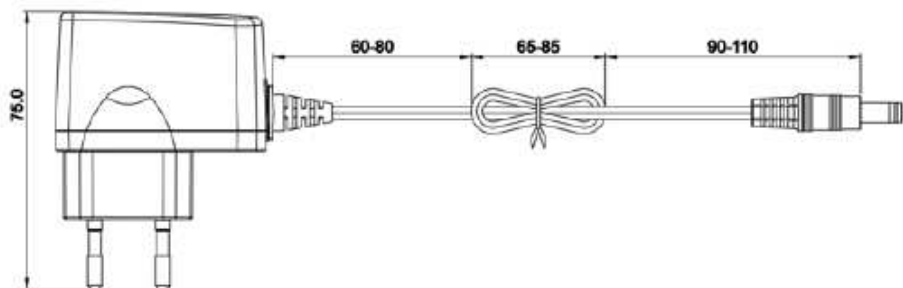
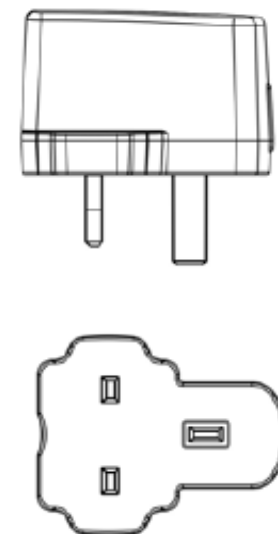
EU= European Connector



UK= United Kingdom Connector



US= US Connector



Mechanical Informations

LxWxH	75x58,7x26mm
Weight	45gr. +/-10
Wire;	UL2468 22AWG+2C
Output Connector	DC-Plug

**7,5Watt Power Adapter / Charger
Cable Type**

Part No.: **L38000**

Customer:

DRW:	Jason	CHKD	Wilson	MATL:	Wilson	TOLERANCE	Mason	DATE	14.11.2010
APPD:	Schumi			FINISH	Jamy		Sheet No.		3 from 5

www.edcon-components.com

email: info@edcon-components.com

EDCON-COMPONENTS



DC-Connector Selection Table



A01

Outside 5,5 / Inside 2,1mm



B03

Outside 5,5 / Inside 2,1mm



B01

Outside 5,5 / Inside 2,5mm



B04

Outside 5,5 / Inside 2,5mm



B02

7,5Watt Power Adapter / Charger Cable Type

Part No.: **L38000**

DRW:	Jason	CHKD	Wilson	MATL:	Wilson	TOLERANCE	Mason	DATE	14.11.2010	Customer:
APPD:	Schumi			FINISH	Jamy		Sheet No.	4 from 5		

EDCON-COMPONENTS



Ordering Informations

Serie	Voltage Model Code	Wall Connector	Case Color	Cable Length	Cable Color	DC Connector	ROHS	Packing Code		
-------	--------------------	----------------	------------	--------------	-------------	--------------	------	--------------	--	--

L38000	A01	EU	BK	1500	BK	B03	R	C		
---------------	------------	-----------	-----------	-------------	-----------	------------	----------	----------	--	--

A01= Look Table Voltage Model Code	EU= Europa Connector US= US Connector UK= United Kingdom Connector	BK= Black Cover (Standard) WH= White Cover (MQO on request)	1500= 1500mm xxxx= on request	BK= Black cable WH= White cable	B03= Connector Type B03	R= ROHS Conform N= NON ROHS Conform	C= Carton
---	---	--	--	--	--------------------------------	--	------------------

7,5Watt Power Adapter / Charger Cable Type

Part No.: **L38000**

Customer:

DRW:	Jason	CHKD	Wilson	MATL:	Wilson	TOLERANCE	Mason	DATE	14.11.2010
APPD:	Schumi			FINISH	Jamy		Sheet No.		5 from 5