



# DATA SHEET

## 7,5Watt USB Power Adapter / Charger

**Serie: L37000**

**7,5Watt USB Power Adapter /  
Charger**

Serie No.: **L37000**

DRW:	Jason	CHKD	Wilson	MATL:	Wilson	TOLERANCE	Mason	DATE	14.11.2010
APPD:	Schumi			FINISH	Jamy		Sheet No.		1 from 4

Customer:  
email: [info@edcon-components.com](mailto:info@edcon-components.com)

# EDCON-COMPONENTS



## Features

Wall mounted Power Adapter/Charger  
 Compact structural design  
 Double insulated circuit  
 Over Current, over Voltage, Short circuit protection  
 Low standby power consumption, high efficiency  
 Energy star Level IV compliant  
 LED Indication

## Application

Wireless communications  
 Networking devices  
 Personal digital products

## Working Environment

Operating Temperature: . -5°C ~ +45°C  
 Storage Temperature: . -20°C ~ +70°C  
 Humidity: 35 ~ 85% RH

## Input Specifications

Input Voltage: 90 ~ 264VAC  
 Input Frequency: 47 ~ 63Hz  
 Input Current: 300ma(rms)@ 90 VAC  
 Inrush Current: <30A max. @240VAC  
 No load power consumption: 0,5Watt

## Output Specifications

Output Power: 7,5Watts  
 Efficiency: 70% min.  
 Ripple and Noise: 100mV  
 Hold-up Time: 50ms@full load, 120VAC  
 Hi-Pot 3000VAC/1min/5mA

## General Specifications

Leackage Current: 0,25mA max. @240VAC  
 Overcurrent Protection: Continuous, auto restart  
 Overvoltage Protection: 120%  
 Short Circuit Protection: Continuous, auto restart  
 Safety Standard: CE LVD EN60950-1:2006  
 UL:60950  
 CCC:GB4943-2001  
 CE/EN60950-1:2006  
 EN 55022:2006  
 EN 61000-3-2:2006  
 UL(UL 60950-1, 1st Edition  
 CSA C22.2 No. 60950  
 CCC (GB9254-1998)  
 FCC(47CFR FCC Part15 subpartB:2008

**7,5Watt USB Power Adapter /  
 Charger**

Part No.: **L37000**

DRW:	Jason	CHKD	Wilson	MATL:	Wilson	TOLERANCE	Mason	DATE	14.11.2010
APPD:	Schumi			FINISH	Jamy		Sheet No.		1 from 5

Customer:

# EDCON-COMPONENTS



## Power Model Listing

Voltage Model Code	Voltage (V)	Current (mA)	
		Min.	Max.
<b>B01</b>	4,2	100	1500
<b>B02</b>	4,5	100	1500
<b>B03</b>	4,8	100	1500
<b>B04</b>	5,0	100	1500
<b>B05</b>	5,2	100	1500
<b>B06</b>	5,5	100	1300
<b>B07</b>	6,0	100	1300
<b>B08</b>	6,5	100	1300
<b>B09</b>	7,2	100	1200
<b>B10</b>	7,5	100	1100
<b>B11</b>	8,0	100	1100
<b>B12</b>	8,2	100	1000
<b>B13</b>	8,4	100	1000
<b>B14</b>	9,0	100	1000
<b>B15</b>	9,1	100	1000
<b>B16</b>	10,0	100	900
<b>B17</b>	10,8	100	800
<b>B18</b>	11,0	100	800
<b>B19</b>	11,5	100	800
<b>B20</b>	12,0	100	800
<b>B21</b>	12,5	100	700
<b>B22</b>	13,0	100	700

Voltage Model Code	Voltage (V)	Current (mA)	
		Min.	Max.
<b>B23</b>	13,5	100	700
<b>B24</b>	14,0	100	650
<b>B25</b>	15,0	100	650

Other Voltage Models and configuration are on request

**7,5Watt USB Power Adapter / Charger**

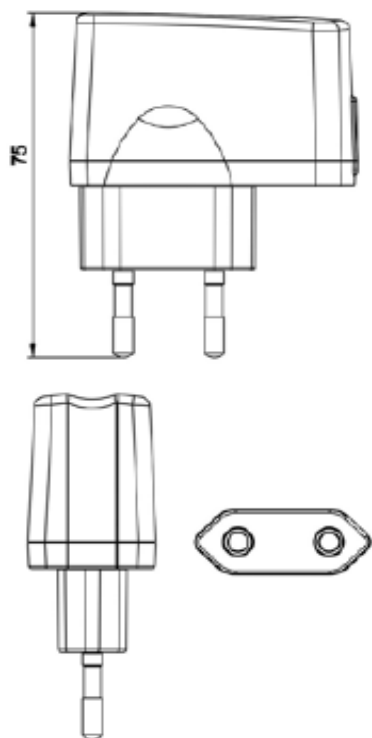
DRW:	Jason	CHKD	Wilson	MATL:	Wilson	TOLERANCE	Mason	DATE	14.11.2010	Customer:
APPD:	Schumi			FINISH	Jamy		Sheet No.	2 from 5		

# EDCON-COMPONENTS

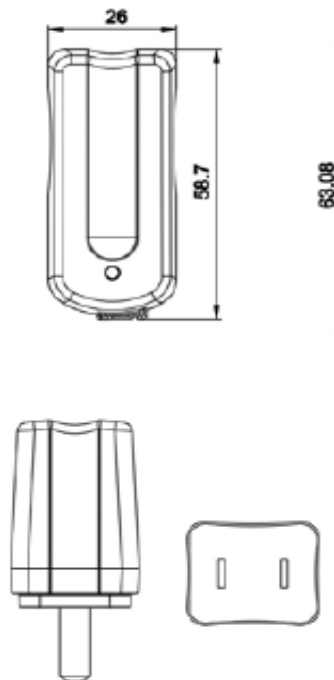


## Drawing & Technical Informations

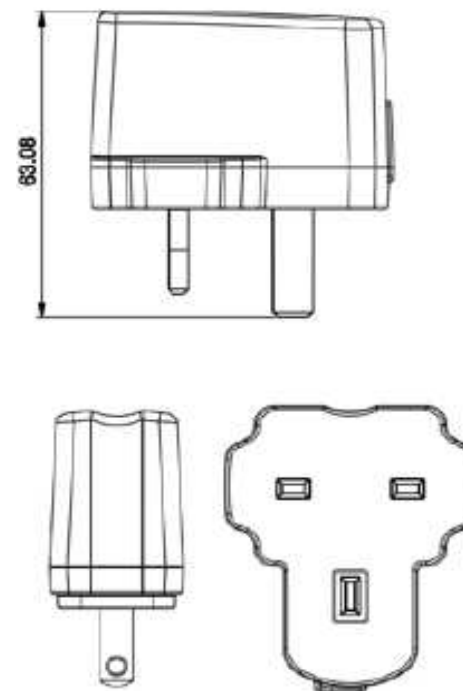
**EU= European Connector**



**UK= United Kingdom Connector**



**US= US Connector**



### Mechanical Informations

LxWxH	75x58,7x26mm
Weight	45gr. +/-10
Output Connector	Female USB A-Type

**7,5Watt USB Power Adapter / Charger**

Part No.: **L37000**

DRW:	Jason	CHKD	Wilson	MATL:	Wilson	TOLERANCE	Mason	DATE	14.11.2010	Customer:
APPD:	Schumi			FINISH	Jamy		Sheet No.	3 from 5		

# EDCON-COMPONENTS



## DC-Connector Selection Table



A01

<b>7,5Watt USB Power Adapter / Charger</b>	
Part No.:	<b>L37000</b>
Customer:	

DRW:	Jason	CHKD	Wilson	MATL:	Wilson	TOLERANCE	Mason	DATE	14.11.2010
APPD:	Schumi			FINISH	Jamy		Sheet No.	4 from 5	

# EDCON-COMPONENTS



## Ordering Informations

Serie	Voltage Model Code	Wall Connector	Case Color	Cable Length	Cable Color	DC Connector	ROHS	Packing Code		
-------	--------------------	----------------	------------	--------------	-------------	--------------	------	--------------	--	--

<b>L37000</b>	-	<b>B01</b>	<b>EU</b>	<b>BK</b>	<b>0000</b>	<b>XX</b>	<b>A01</b>	<b>R</b>	<b>C</b>	
---------------	---	------------	-----------	-----------	-------------	-----------	------------	----------	----------	--

<b>B01=</b> Look Table Voltage Model Code	<b>EU=</b> Europa Connector	<b>BK=</b> Black Cover (Standard)		<b>BK=</b> Black cable	<b>A01=</b> Connector Type A01	<b>R=</b> ROHS Conform <b>N=</b> NON ROHS Conform	<b>C=</b> Carton
	<b>US=</b> US Connector			<b>WH=</b> White cable			
	<b>UK=</b> United Kingdom Connector	<b>WH=</b> White Cover (MQO on request)	<b>0000=</b> without Cable	<b>XX=</b> No Cable			

**7,5Watt USB Power Adapter / Charger**

Part No.: **L37000**

DRW:	Jason	CHKD	Wilson	MATL:	Wilson	TOLERANCE	Mason	DATE	14.11.2010
APPD:	Schumi			FINISH	Jamy		Sheet No.		5 from 5

Customer: