

EDCON-COMPONENTS



SPECIFICATIONS : Slide switches are known for providing selection of two or more switch positions for engagement of respective switch contacts. Electrical slide switches have long been used to control the operation of many devices, including volume and other controls for audio & video equipment, dimmer controls for lights among a multitude of other daily electrical products. Such slide switches have also been used for controlling the operating speed of many kinds of variable speed hand tools. In electrical slide switches a slide member is slidably repositionable to affect a switching action.

Contact Material Silver plated Code 1

Fixed Terminal: Silver plated over copper alloy
 Moving Contact: Silver plated over copper alloy
 Contact Rating: 6A with resistive load 120VAX or 28VDC
 3A with resistive load 250VAC

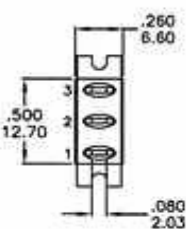
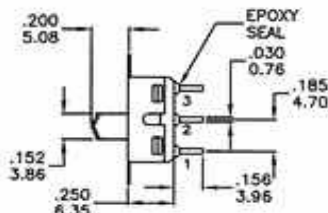
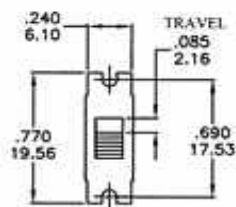
Contact Material Gold plated Code 2

Fixed Terminal: Copper Alloy with gold plated over nickel plated
 Moving Contact: Copper Alloy with gold plated over nickel plated
 Contact Rating: 0,4 Volt-Amps (VA max. @ 20V max.AC or DC)

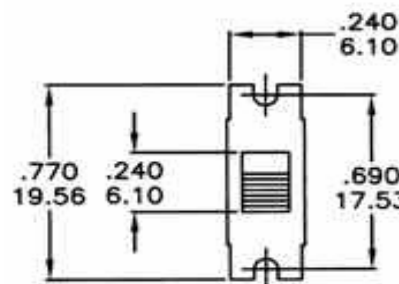
Electrical Specifications and Material

Electrical Life: 60.000 make and break cycles at full load
 Contact Resistance: 10mΩ max. initial @2-4VDC. 100mA for both silver and gold plated contacts.
 Insulation Resistance: 1000M Ω min.
 Dielectric Strength: 1000V RMS min. @ sea level
 Operating Temperature: -30°C to +130°C
 Case: Diallyl phthalate (DAP) (UL94V-0)
 Actuator: Nylon, Black Standard
 Housing: Stainless steel
 Switch Support: Brann,tin plated
 Terminal/Contact: Silver or gold plated
 Terminal Seal: Epoxy

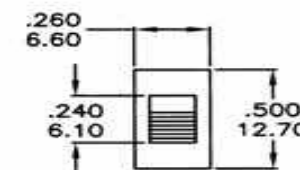
Technical Drawing



With ears



Without ears



SLIDE-SWITCH

Part No.: **Q52A1001**

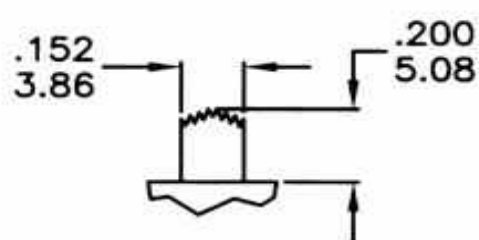
Customer:

DRW:	Jason	CHKD	Wilson	MATL:	Wilson	TOLERANCE	Mason	DATE	10.04.2009
APPD:	Schumi			FINISH	Jamy		Sheet No.		1 from 4

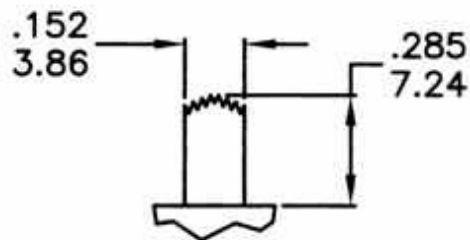
EDCON-COMPONENTS



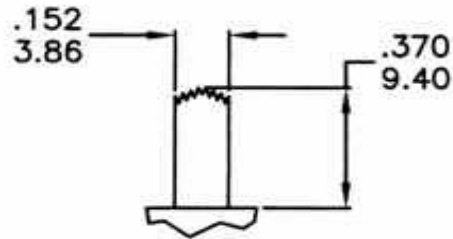
Actuator Type 1



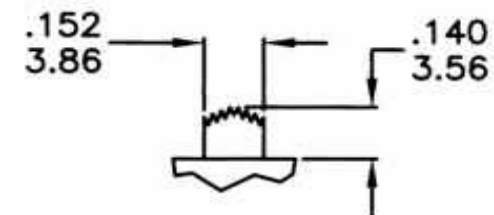
Actuator Type 2



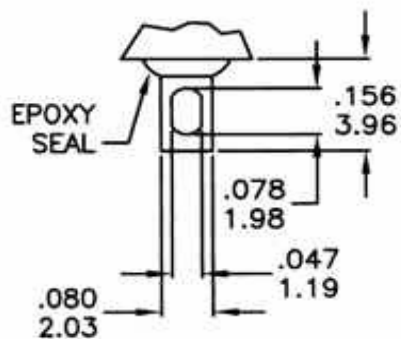
Actuator Type 3



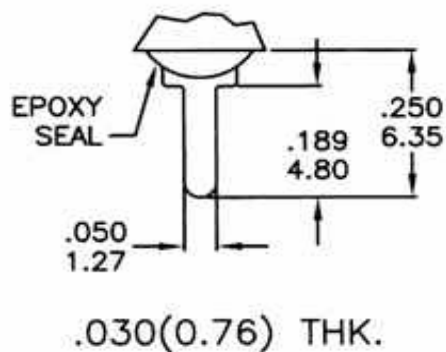
Actuator Type 4



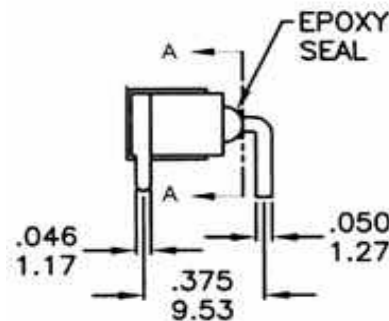
Terminations Type A



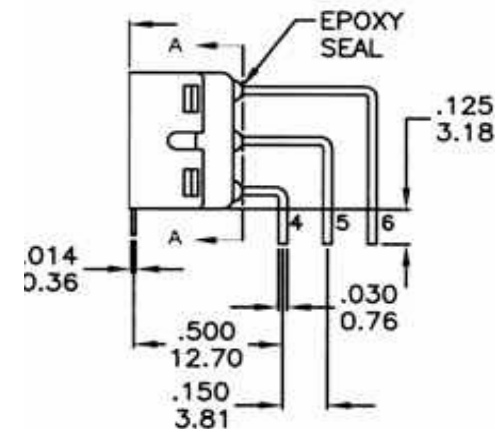
Terminations Type B



Terminations Type C



Terminations Type D



SLIDE-SWITCH

Part No.: **Q52A1001**

DRW:	Jason	CHKD	Wilson	MATL:	Wilson	TOLERANCE	Mason	DATE	10.04.2009
APPD:	Schumi			FINISH	Jamy		Sheet No.	2 from 4	Customer:

www.edcon-components.com

email: info@edcon-components.com

EDCON-COMPONENTS



Connected Terminals Cematic

Switch function	Pos.1	Pos2	Pos3	Pos 1	Pos 2	Pos 3
A1	ON	NON	OFF			
A2	ON	NON	ON	.2-1	OPEN	.2-3
A3	ON	OFF	ON			

Ordering Informations

Serie	Switch function	ACTUATOR	TERMINATIONS	CONTACT MATERIAL	SEAL	EARS	ROHS	Packing		
Q52A1001	A	1	A	1	A	1	R	BU1		

A= A1	1= C1	A= A1	1= Silver	A= Epoxy	1= w/o Ears	R= Rohs conform	BU1= 100PCS per Bag
B= A2	2= C2	B= A2	2= Gold plated	B= No Epoxy	2= w. Ears		
C= A3	3= C3	C= A3					
	4= C4	D= A4				N= NON Rohs conform	

SLIDE-SWITCH

Part No.: **Q52A1001**

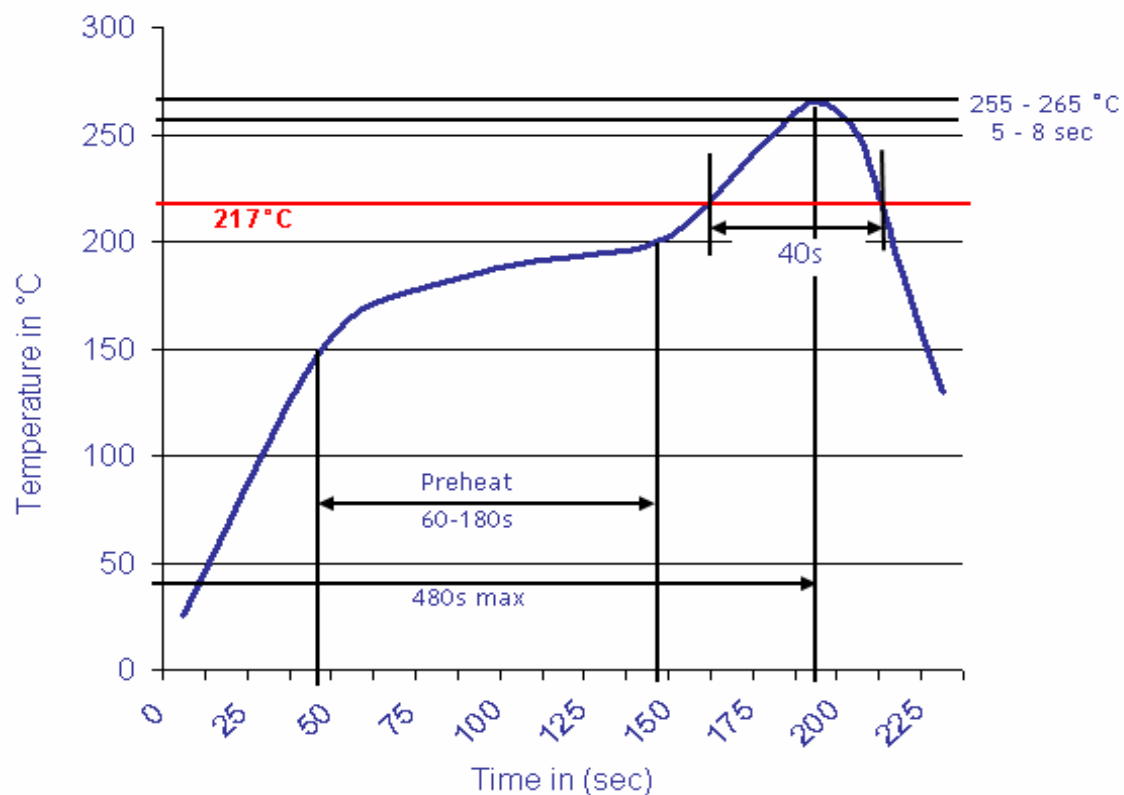
Customer:

DRW:	Jason	CHKD	Wilson	MATL:	Wilson	TOLERANCE	Mason	DATE	10.04.2009
APPD:	Schumi			FINISH	Jamy		Sheet No.		3 from 4



Lead Free Soldering curve

Classification Reflow Profile (JEDEC J-STD-020C)



SLIDE-SWITCH	
Part No.:	Q52A1001
Customer:	

DRW:	Jason	CHKD	Wilson	MATL:	Wilson	TOLERANCE	Mason	DATE	10.04.2009
APPD:	Schumi			FINISH	Jamy		Sheet No.	4 from 4	