

# EDCON-COMPONENTS



**SPECIFICATIONS** : A pushbutton switch is a manually actuated switching device which employs a button or similar structure which is depressed to select among successive switch positions. Conventional pushbutton switches are provided with a dielectric housing in which pins are mounted. A spring-biased actuator is movably mounted in the housing and it carries contact members thereon for electrical engagement with the pins to perform switching functions.

### Contact Material Silver plated Code 1

Fixed Terminal: Silver plated over copper alloy  
 Moving Contact: Silver plated over copper alloy  
 Contact Rating: 3A with resistive load 120VAX or 28VDC  
 1A with resistive load 250VAC

### Contact Material Gold plated Code 2

Fixed Terminal: Copper Alloy with gold plated over nickel plated  
 Moving Contact: Copper Alloy with gold plated over nickel plated  
 Contact Rating: 0,4 Volt-Amps (VA max. @ 20V max.AC or DC

### Electrical Specifications and Material

Electrical Life: 60.000 make and break cycles at full load  
 Contact Resistance: 20mΩ max. initial @2-4VDC. 100mA for both silver and gold plated contacts.  
 Insulation Resistance: 1000M Ω min.  
 Dielectric Strength: 1000V RMS min. @ sea level  
 Operating Temperature: -30°C to +130°C  
 Case: Diallyl phthalate (DAP) (UL94V-0)  
 Actuator: Thermoplastic Polyester -Black  
 Housing: Stainless steel  
 Bushing: Brass, nickel plated  
 Switch Support: Brass, tin plated  
 Terminal/Contact: Silver or gold plated  
 Terminal Seal: Epoxy

### Miniatured Size Push Button

Part No.: **Q51A2002**

DRW:	Jason	CHKD	Wilson	MATL:	Wilson	TOLERANCE	Mason	DATE	10.04.2009
APPD:	Schumi			FINISH	Jamy		Sheet No.		1 from 5

Customer:

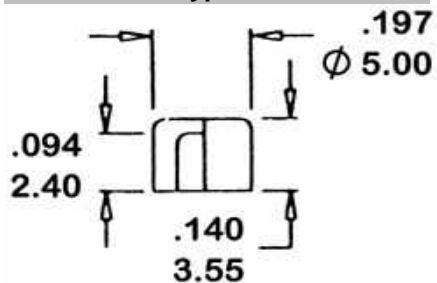
# EDCON-COMPONENTS



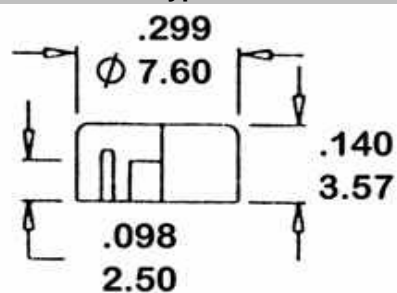
## CAP Options

## Terminations Options

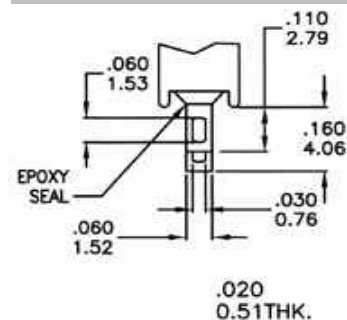
### Type A



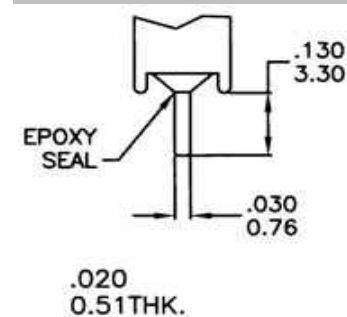
### Type B



### Type 1

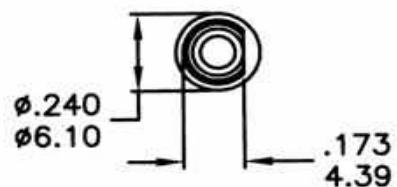


### Type 2

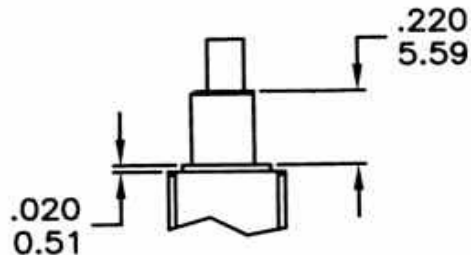
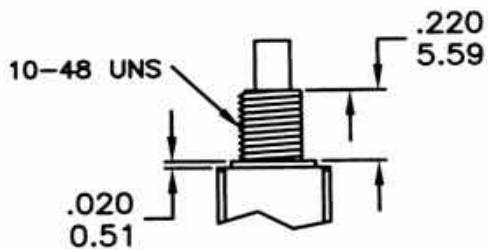
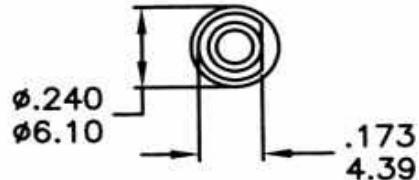


## Bushing Options

### Type A



### Type B



**Miniature Size Push Button**

Part No.: **Q51A2002**

DRW:	Jason	CHKD	Wilson	MATL:	Wilson	TOLERANCE	Mason	DATE	10.04.2009
APPD:	Schumi			FINISH	Jamy		Sheet No.	2 from 5	Customer:

[www.edcon-components.com](http://www.edcon-components.com)

email: [info@edcon-components.com](mailto:info@edcon-components.com)

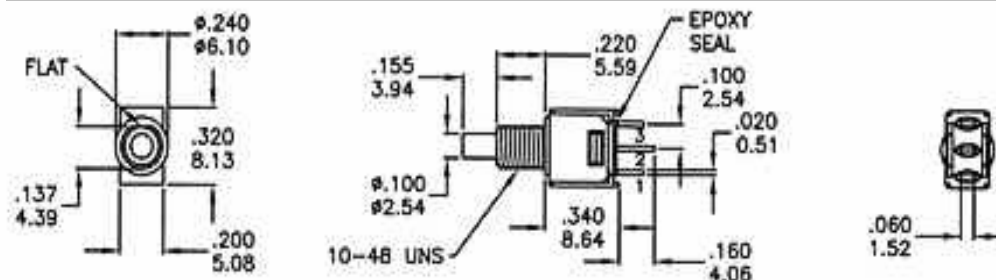
# EDCON-COMPONENTS



## Connection

No of Poles	Connection Code	Switch function		Connecting Terminals	
		Pos.1	Pos.2	Pos.1	Pos.2
SP	Type A	OFF	ON	.1-2	.2-3

## Technical Drawing



### Miniature Size Push Button

Part No.: **Q51A2002**

Customer:

DRW:	Jason	CHKD	Wilson	MATL:	Wilson	TOLERANCE	Mason	DATE	10.04.2009
APPD:	Schumi			FINISH	Jamy		Sheet No.	3 from 5	



**Ordering Informations**

Serie	Connection code	Contact Material	CAP Options	Terminations Options	Bushing Options	Seal	ROHS	Packing		
<b>Q51A2002</b>	<b>A</b>	<b>1</b>	<b>A</b>	<b>1</b>	<b>A</b>	<b>A</b>	<b>R</b>	<b>BU1</b>		

<b>A= Type A</b>	<b>1= Silver</b> <b>2= Gold plated</b>	<b>A= Type A</b> <b>B= Type B</b>	<b>1= Type 1</b> <b>2= Type 2</b>	<b>A= Type A</b> <b>B= Type B</b>	<b>A= Epoxy</b> <b>B= No Epoxy</b>	<b>R= Rohs conform</b> <b>N= NON Rohs conform</b>	<b>BU1= 100PCS per Bag</b>
------------------	---	--------------------------------------	--------------------------------------	--------------------------------------	---------------------------------------	--	----------------------------

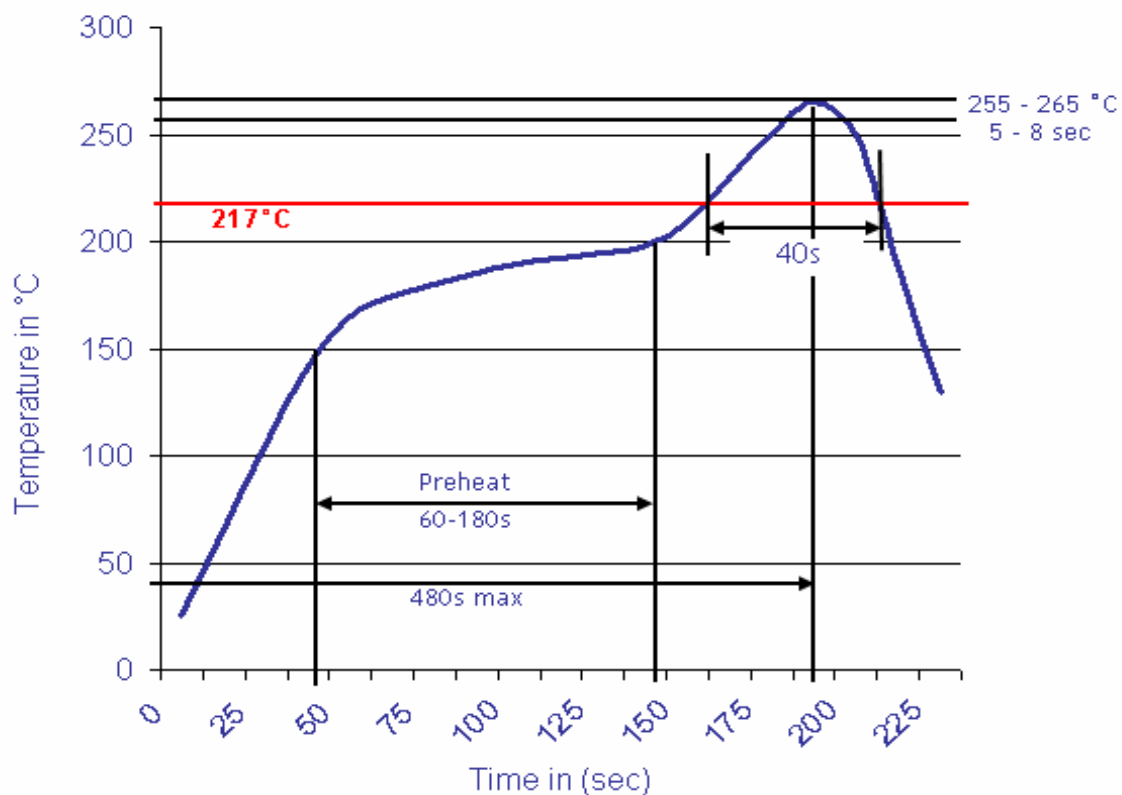
<b>Miniatured Size Push Button</b>
Part No.: <b>Q51A2002</b>
Customer:

DRW:	Jason	CHKD	Wilson	MATL:	Wilson	TOLERANCE	Mason	DATE	10.04.2009
APPD:	Schumi			FINISH	Jamy		Sheet No.		4 from 5



Lead Free Soldering curve

Classification Reflow Profile (JEDEC J-STD-020C)



<b>Miniatured Size Push Button</b>	
Part No.:	<b>Q51A2002</b>
Customer:	

DRW:	Jason	CHKD	Wilson	MATL:	Wilson	TOLERANCE	Mason	DATE	10.04.2009
APPD:	Schumi			FINISH	Jamy		Sheet No.	5 from 5	