

EDCON-COMPONENTS



SPECIFICATIONS : A pushbutton switch is a manually actuated switching device which employs a button or similar structure which is depressed to select among successive switch positions. Conventional pushbutton switches are provided with a dielectric housing in which pins are mounted. A spring-biased actuator is movably mounted in the housing and it carries contact members thereon for electrical engagement with the pins to perform switching functions.

Contact Material Silver plated Code 1

Fixed Terminal: Silver plated over copper alloy
 Moving Contact: Silver plated over copper alloy
 Contact Rating: 3A with resistive load 120VAX or 28VDC
 1A with resistive load 250VAC

Contact Material Gold plated Code 2

Fixed Terminal: Copper Alloy with gold plated over nickel plated
 Moving Contact: Copper Alloy with gold plated over nickel plated
 Contact Rating: 0,4 Volt-Amps (VA max. @ 20V max.AC or DC

Electrical Specifications and Material

Electrical Life: 60.000 make and break cycles at full load
 Contact Resistance: 20mΩ max. initial @2-4VDC. 100mA for both silver and gold plated contacts.
 Insulation Resistance: 1000M Ω min.
 Dielectric Strength: 1000V RMS min. @ sea level
 Operating Temperature: -30°C to +130°C
 Case: Diallyl phthalate (DAP) (UL94V-0)
 Actuator: Thermoplastic Polyester -Black
 Housing: Stainless steel
 Bushing: Brass, nickel plated
 Switch Support: Brass, tin plated
 Terminal/Contact: Silver or gold plated
 Terminal Seal: Epoxy

Miniatured Size Push Button

Part No.: **Q51A2001**

DRW:	Jason	CHKD	Wilson	MATL:	Wilson	TOLERANCE	Mason	DATE	10.04.2009
APPD:	Schumi			FINISH	Jamy		Sheet No.		1 from 5

Customer:

email: info@edcon-components.com

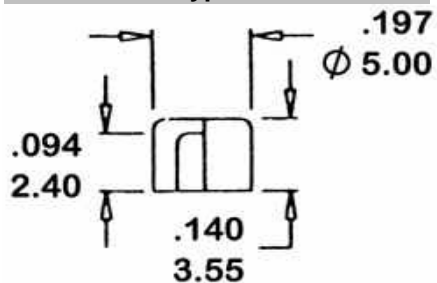
EDCON-COMPONENTS



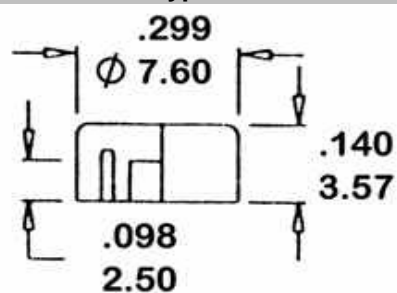
CAP Options

Terminations Options

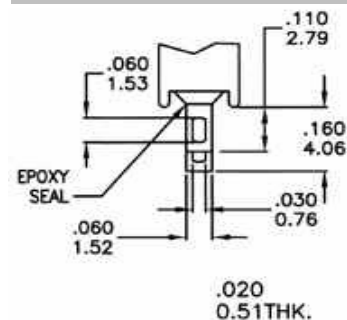
Type A



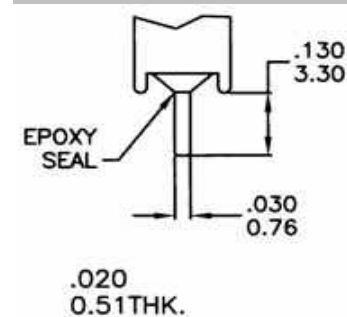
Type B



Type 1

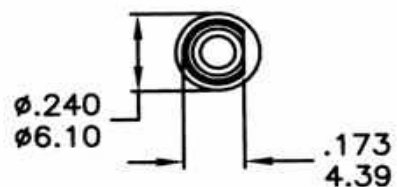


Type 2

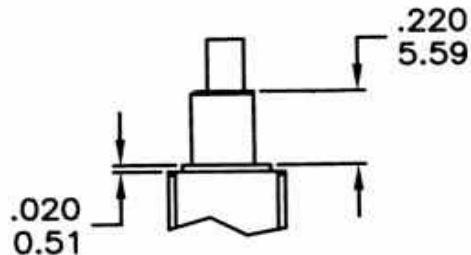
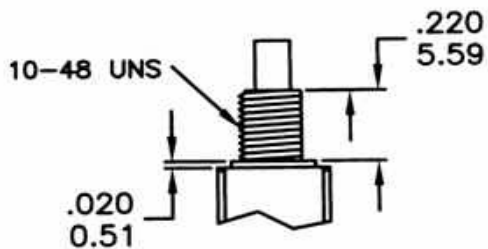
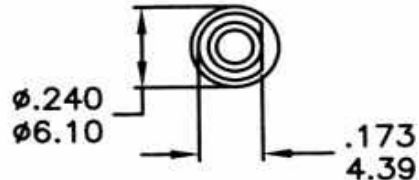


Bushing Options

Type A



Type B



Miniature Size Push Button

Part No.: **Q51A2001**

DRW:	Jason	CHKD	Wilson	MATL:	Wilson	TOLERANCE	Mason	DATE	10.04.2009
APPD:	Schumi			FINISH	Jamy		Sheet No.	2 from 5	

Customer:

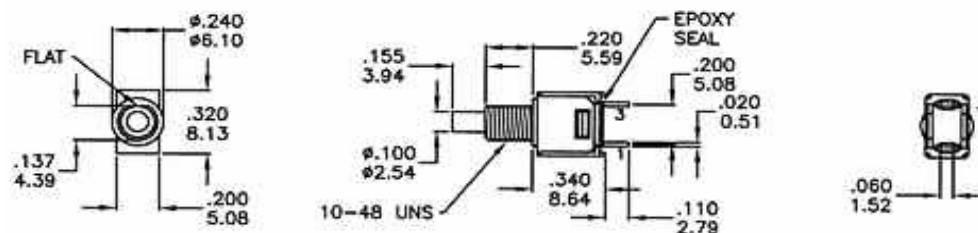
EDCON-COMPONENTS



Connection

No of Poles	Connection Code	Switch function		Connecting Terminals	
		Pos.1	Pos.2	Pos.1	Pos.2
SP	Type A	OFF	ON	.1-2	.1-2

Technical Drawing



Miniatured Size Push Button

Part No.: **Q51A2001**

Customer:

DRW:	Jason	CHKD	Wilson	MATL:	Wilson	TOLERANCE	Mason	DATE	10.04.2009
APPD:	Schumi			FINISH	Jamy		Sheet No.	3 from 5	



Ordering Informations

Serie	Connection code	Contact Material	CAP Options	Terminations Options	Bushing Options	Seal	ROHS	Packing		
Q51A2001	A	1	A	1	A	A	R	BU1		

A= Type A	1= Silver 2= Gold plated	A= Type A B= Type B	1= Type 1 2= Type 2	A= Type A B= Type B	A= Epoxy B= No Epoxy	R= Rohs conform N= NON Rohs conform	BU1= 100PCS per Bag
------------------	---	--------------------------------------	--------------------------------------	--------------------------------------	---------------------------------------	--	----------------------------

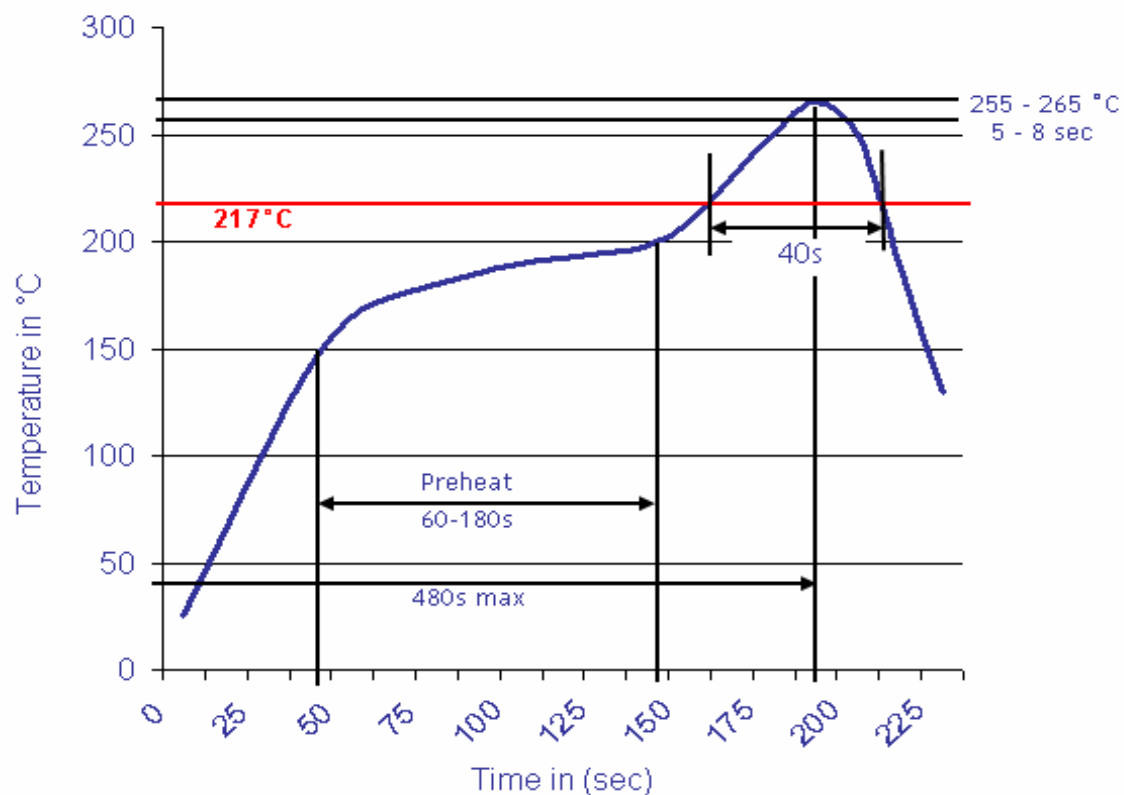
Miniatured Size Push Button	
Part No.:	Q51A2001
Customer:	

DRW:	Jason	CHKD	Wilson	MATL:	Wilson	TOLERANCE	Mason	DATE	10.04.2009
APPD:	Schumi			FINISH	Jamy		Sheet No.		4 from 5



Lead Free Soldering curve

Classification Reflow Profile (JEDEC J-STD-020C)



Miniatured Size Push Button	
Part No.:	Q51A2001
Customer:	

DRW:	Jason	CHKD	Wilson	MATL:	Wilson	TOLERANCE	Mason	DATE	10.04.2009
APPD:	Schumi			FINISH	Jamy		Sheet No.	5 from 5	