

# EDCON-COMPONENTS

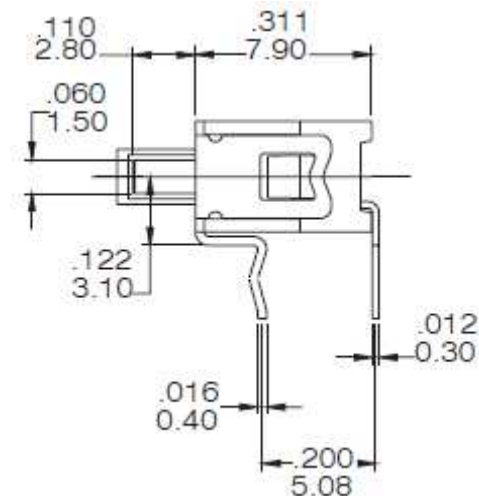
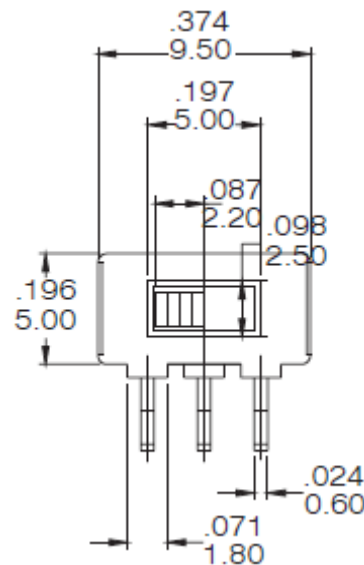


## SPECIFICATION:

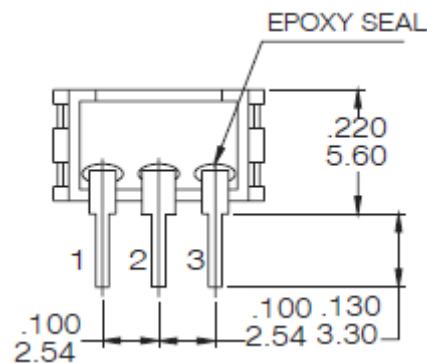
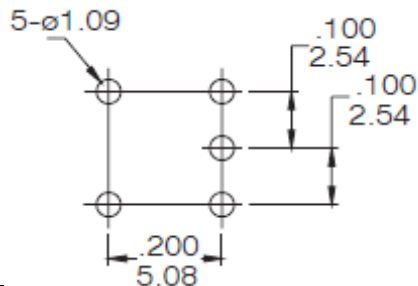
Contact Rating: 0,4VA max. @ 20VDC or AC  
 Electrical Life: 40000 make and break cycles at full load  
 Contact Resistance: 50mΩ max. initial @ 2-4 VDC, 100mA  
 Insulation Resistance: 1000M Ω min.  
 Dielectric Strength: 500V RMS @ sea level  
 Operating Temperature: -30°C ~ +85°C

## Drawing

**Materials**  
 Case: nylon 66  
 Actuator: nylon 66  
 Frame: nylon 66  
 Terminal: copp alloy, gold plated  
 Switch Support: copp alloy, tin plated  
 Slide Button: POM  
 Waterproof Cover: Silica Gel



## P.C.B Layout



**Waterproof Single Pol Slide Switch**

Part No.: **Q52A6002**

DRW:	Jason	CHKD	Wilson	MATL:	Wilson	TOLERANCE	Mason	DATE	19.05.2014
APPD:	Schumi			FINISH	Jamy			Sheet No.	1 from 2

Customer:

# EDCON-COMPONENTS



## Ordering Informations

Serie	Switch function	Contact Material	special function	special function	ROHS	Packing			
<b>Q52A6002</b>	<b>A</b>	<b>T</b>	<b>X</b>	<b>X</b>	<b>R</b>	<b>BU</b>			

<b>A= ON- NONE-ON</b>	<b>T= Gold / tin-plated</b>	<b>X= No function</b>	<b>X= No function</b>	<b>N= non ROHS</b>	<b>BU= Bulk Ware</b>		
<b>B= ON- OFF-ON</b>	<b>A= Gold-plated</b>			<b>R= ROHS conform</b>	<b>TY= Tray Packing</b>		

<b>Waterproof Single Pol Slide Switch</b>	
Part No.:	<b>Q52A6002</b>
Customer:	

DRW:	Jason	CHKD	Wilson	MATL:	Wilson	TOLERANCE	Mason	DATE	19.05.2014
APPD:	Schumi			FINISH	Jamy			Sheet No.	2 from 2