

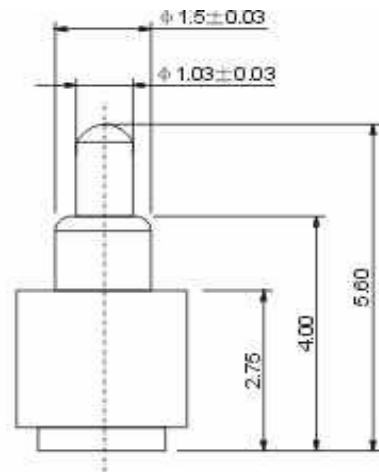
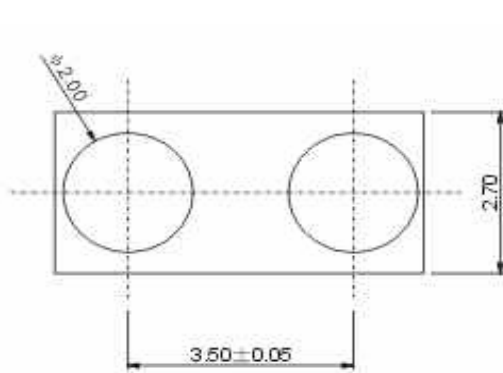


### Technical Specification

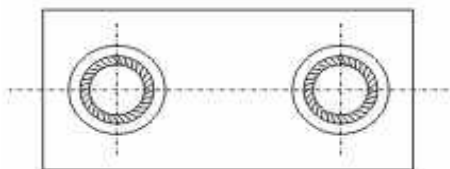
#### Technical Informations

Contact Positions	3
Contact Pitch:	3,0mm
Operating Temperature:	-.40°C ~ +85°C
Contact Resistance:	50mΩ max. initially 80mΩ after 10000cycles
Current Rating:	1,0A
Insulatio Resistance:	1000MΩ At 250VDC for 1 Minute
Durability:	10.000 cycles without degrading electrical Characteristics

### Technical Dimensions



2. 元器尺寸規格



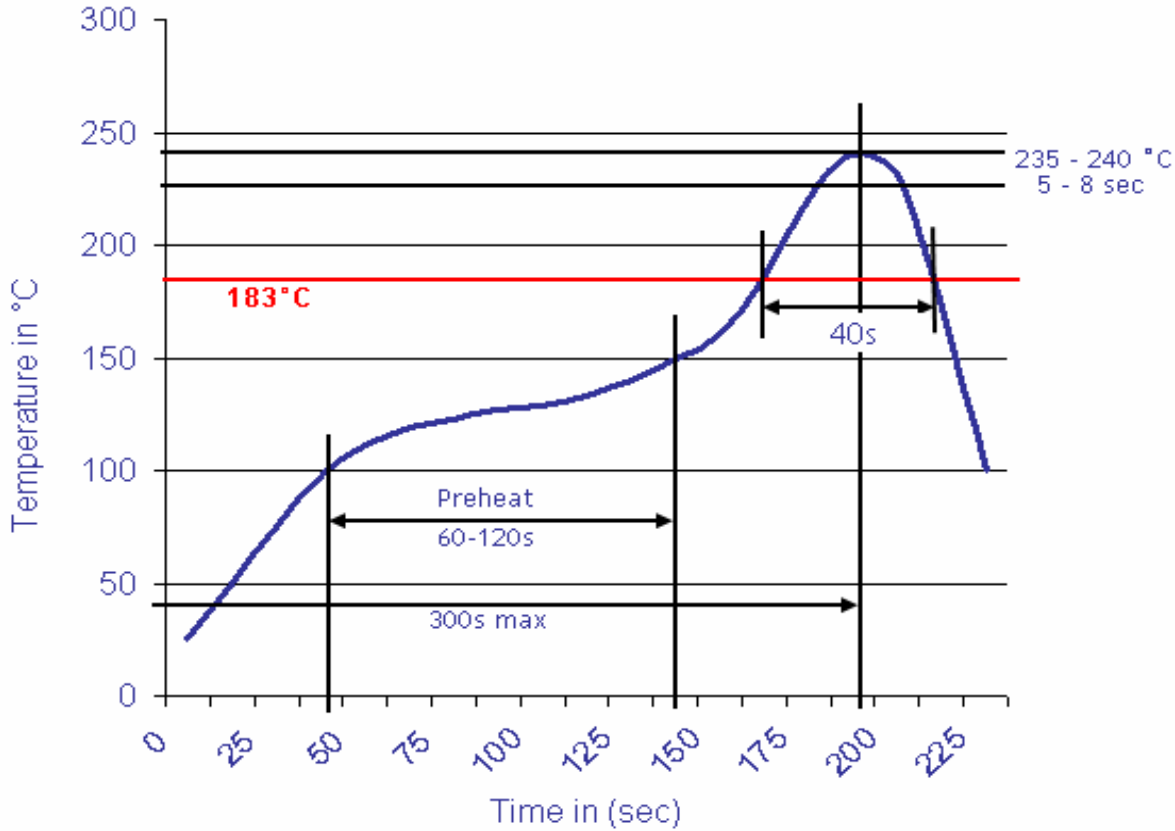
<b>Battery Connector</b>	
Part No.:	<b>T90019</b>
Customer:	

DRW:	Jason	CHKD	Jules	MATL:	Wu	DATE	06.06.2009
APPD:	Join			FINISH	Shieh	Sheet	1 from 2



**Soldering Profile**

**Classification Reflow Profile (JEDEC J-STD-020C)**



**Ordering Information**

Serie	C-Plating	ROHS	Packing			
<b>T90019</b>	<b>G0</b>	<b>R</b>	<b>BU101</b>			

<b>G0</b> = Standard Flash Gold	<b>R</b> = ROHS conform	<b>BU101</b> = Bulk Ware 100PCS
<b>GX</b> = on request other Plating	<b>N</b> =NON ROHS conform	<b>TR101</b> = Tray Packing 100PCS

<b>Battery Connector</b>	
Part No.:	<b>T90019</b>
Customer:	

DRW:	Jason	CHKD	Jules	MATL:	Wu	DATE	06.06.2009
APPD:	Join			FINISH	Shieh	Sheet	2 from 2