

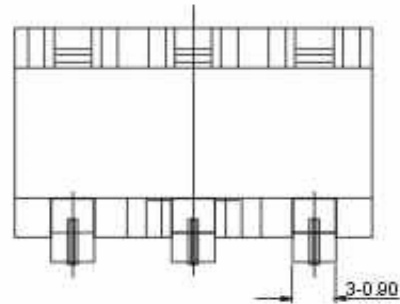
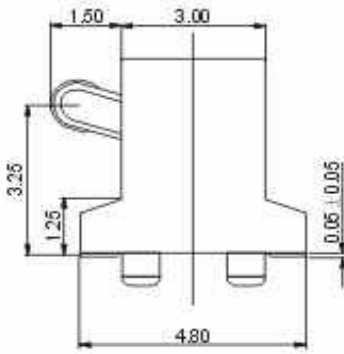


Technical Specification

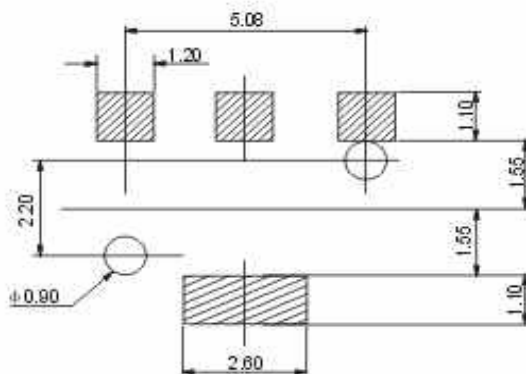
Technical Informations

Contact Positions	3
Contact Pitch:	2,54mm
Operating Temperature:	-.40°C ~ +85°C
Contact Resistance:	50mΩ max. initially 80mΩ after 10000cycles
Current Rating:	1,0A
Insulatio Resistance:	1000MΩ At 250VDC for 1 Minute
Durability:	10.000 cycles without degrading electrical Characteristics

Technical Dimensions



PCB Layout



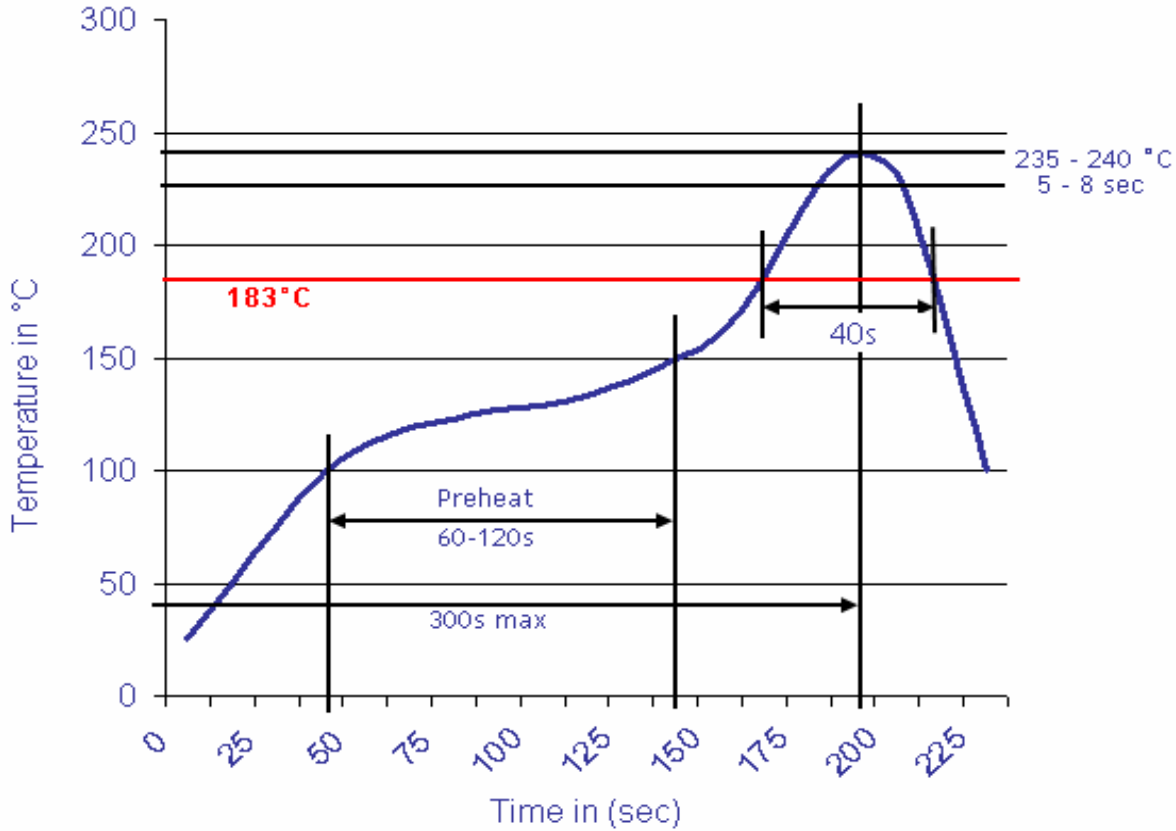
Battery Connector	
Part No.:	T90013
Customer:	

DRW:	Jason	CHKD	Jules	MATL:	Wu	DATE	06.06.2009
APPD:	Join			FINISH	Shieh	Sheet	1 from 2



Soldering Profile

Classification Reflow Profile (JEDEC J-STD-020C)



Ordering Information

Serie	C-Plating	ROHS	Packing			
-------	-----------	------	---------	--	--	--

T90013	G0	R	BU101			
---------------	-----------	----------	--------------	--	--	--

G0 = Standard Flash Gold	R = ROHS conform	BU101 = Bulk Ware 100PCS
GX = on request other Plating	N =NON ROHS conform	TR101 = Tray Packing 100PCS

Battery Connector	
Part No.:	T90013
Customer:	

DRW:	Jason	CHKD	Jules	MATL:	Wu	DATE	06.06.2009
APPD:	Join			FINISH	Shieh	Sheet	2 from 2