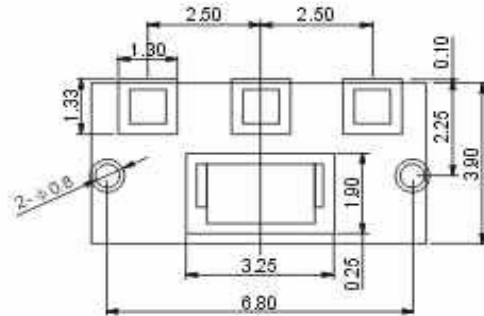
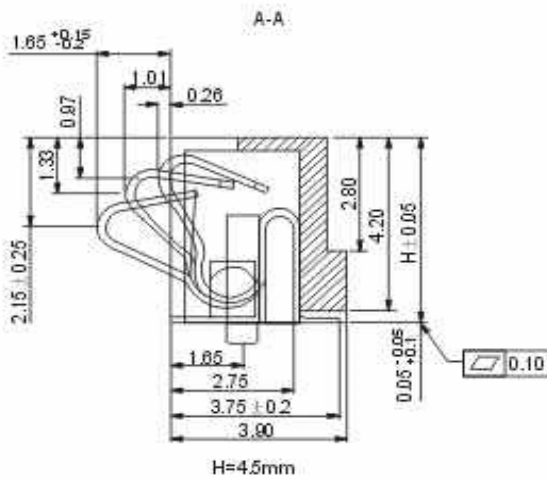


Technical Specification

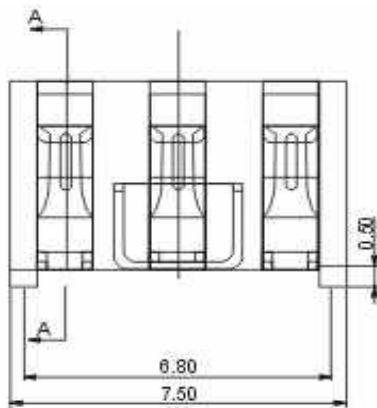
Technical Informations

Contact Positions	3
Contact Pitch:	2,50mm
Operating Temperature:	-.40°C ~ +85°C
Contact Resistance:	50mΩ max. initially 80mΩ after 10000cycles
Current Rating:	1,0A
Insulation Resistance:	1000MΩ At 250VDC for 1 Minute
Durability:	10.000 cycles without degrading electrical Characteristics

Technical Dimensions



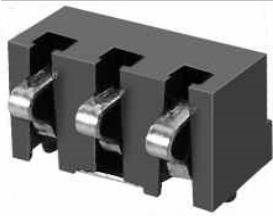
PCB Layout



RECOMMENDED PCB LAYOUT
GENERAL TOLERANCE: ±0.05

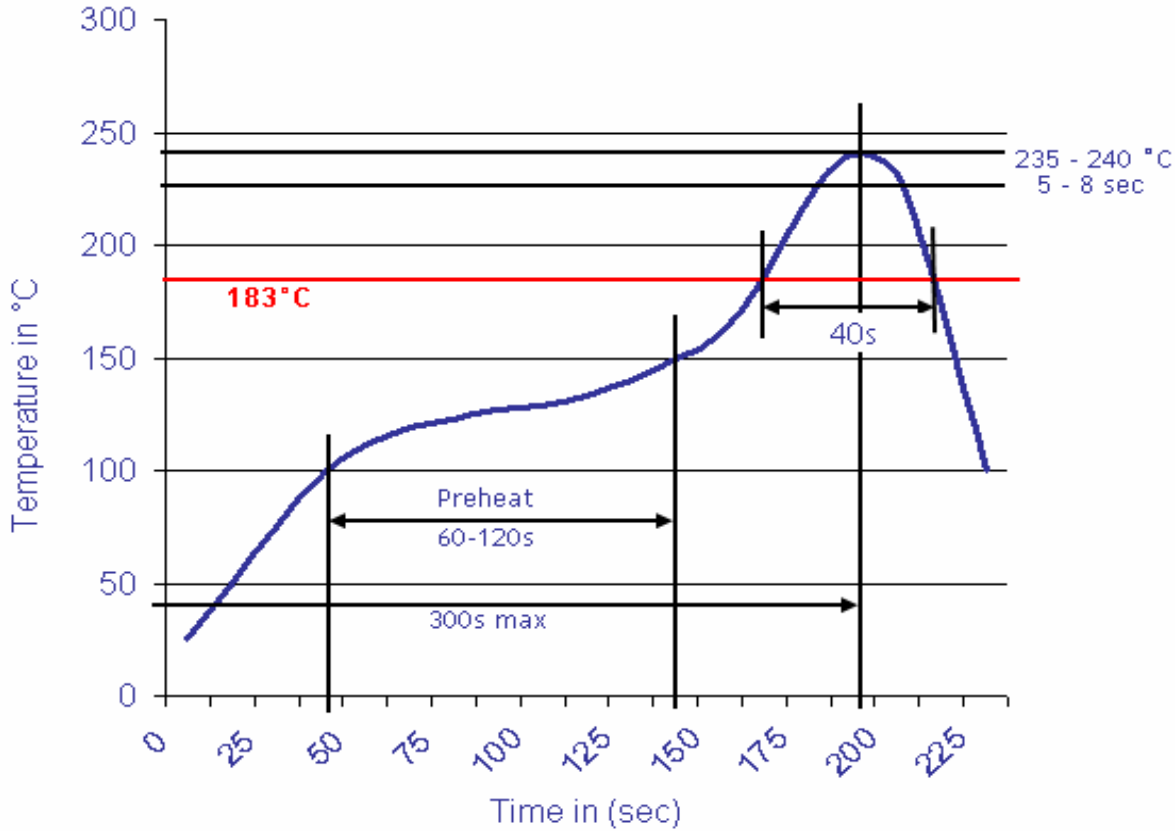
Battery Connector	
Part No.:	T90008
Customer:	

DRW:	Jason	CHKD	Jules	MATL:	Wu	DATE	06.06.2009
APPD:	Join			FINISH	Shieh	Sheet	1 from 2



Soldering Profile

Classification Reflow Profile (JEDEC J-STD-020C)



Ordering Information

Serie	C-Plating	H	ROHS	Packing		
T90008	G0	450	R	BU101		

G0 = Standard Flash Gold	4,50 = in mm	R = ROHS conform	BU101 = Bulk Ware 100PCS
GX = on request other Plating		N =NON ROHS conform	TR101 = Tray Packing 100PCS

Battery Connector	
Part No.:	T90008
Customer:	

DRW:	Jason	CHKD	Jules	MATL:	Wu	DATE	06.06.2009
APPD:	Join			FINISH	Shieh	Sheet	2 from 2