

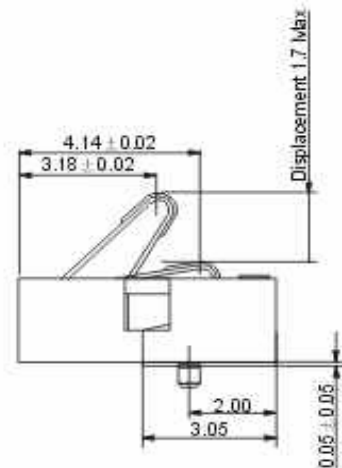
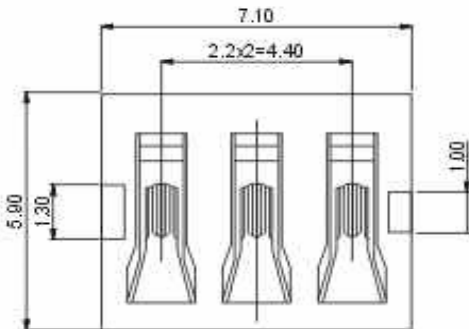


Technical Specification

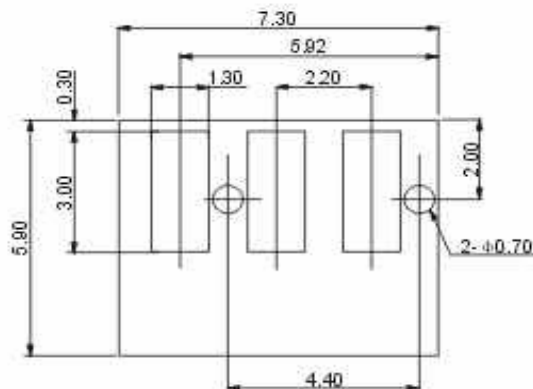
Technical Informations

| | |
|------------------------|--|
| Contact Positions | 3 |
| Contact Pitch: | 2,2mm |
| Operating Temperature: | -.40°C ~ +85°C |
| Contact Resistance: | 50mΩ max. initially 80mΩ after 10000cycles |
| Current Rating: | 1,0A |
| Insulatio Resistance: | 1000MΩ At 250VDC for 1 Minute |
| Durability: | 10.000 cycles without degrading electrical Characteristics |

Technical Dimensions



PCB Layout



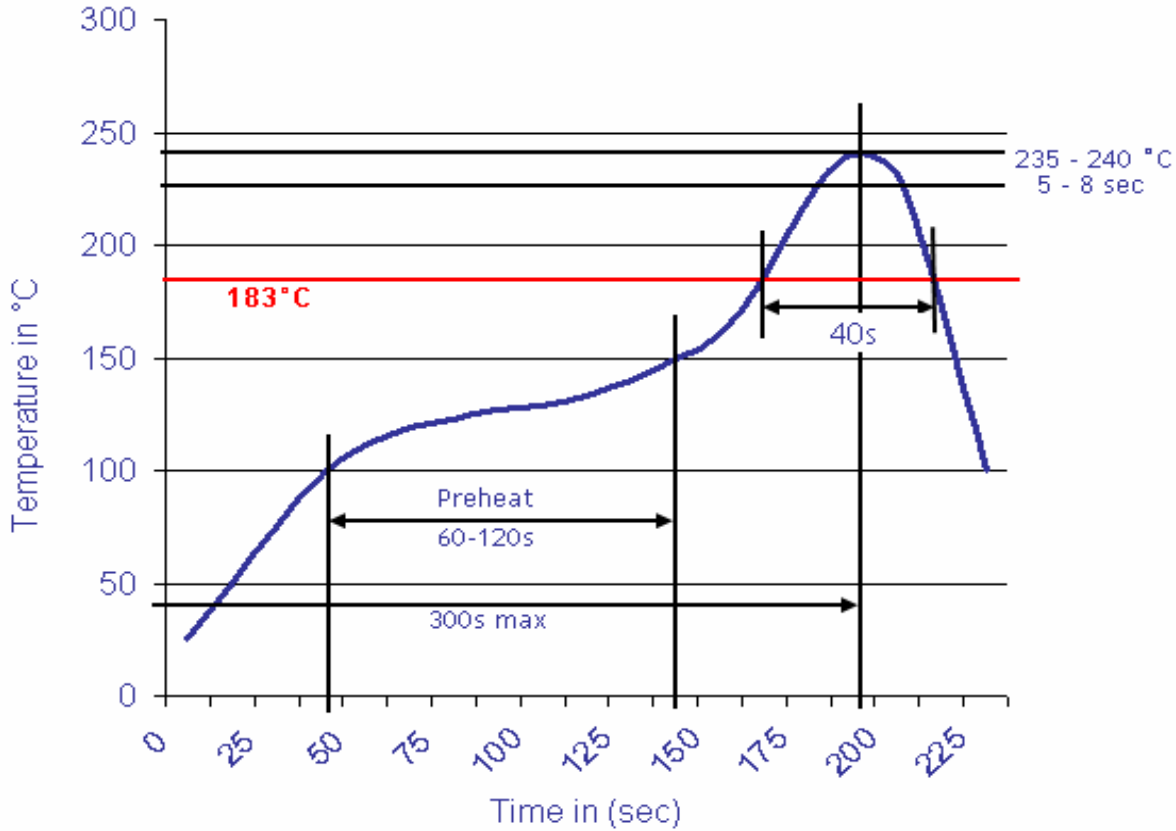
| | |
|--------------------------|---------------|
| Battery Connector | |
| Part No.: | T90003 |
| Customer: | |

| | | | | | | | |
|-------|-------|------|-------|--------|-------|-------|------------|
| DRW: | Jason | CHKD | Jules | MATL: | Wu | DATE | 06.06.2009 |
| APPD: | Join | | | FINISH | Shieh | Sheet | 1 from 2 |



Soldering Profile

Classification Reflow Profile (JEDEC J-STD-020C)



Ordering Information

| | | | | | | |
|---------------|-----------|----------|--------------|--|--|--|
| Serie | C-Plating | ROHS | Packing | | | |
| T90003 | G0 | R | BU101 | | | |

| | | |
|--------------------------------------|----------------------------|------------------------------------|
| G0 = Standard Flash Gold | R = ROHS conform | BU101 = Bulk Ware 100PCS |
| GX = on request other Plating | N =NON ROHS conform | TR101 = Tray Packing 100PCS |

| | |
|--------------------------|---------------|
| Battery Connector | |
| Part No.: | T90003 |
| Customer: | |

| | | | | | | | |
|-------|-------|------|-------|--------|-------|-------|------------|
| DRW: | Jason | CHKD | Jules | MATL: | Wu | DATE | 06.06.2009 |
| APPD: | Join | | | FINISH | Shieh | Sheet | 2 from 2 |