



Technical Specification

Features

Wire Wound Construction
 High Saturation Material
 Polyolefin Shrink Tubing
 Low DC Resistance
 High Reliability

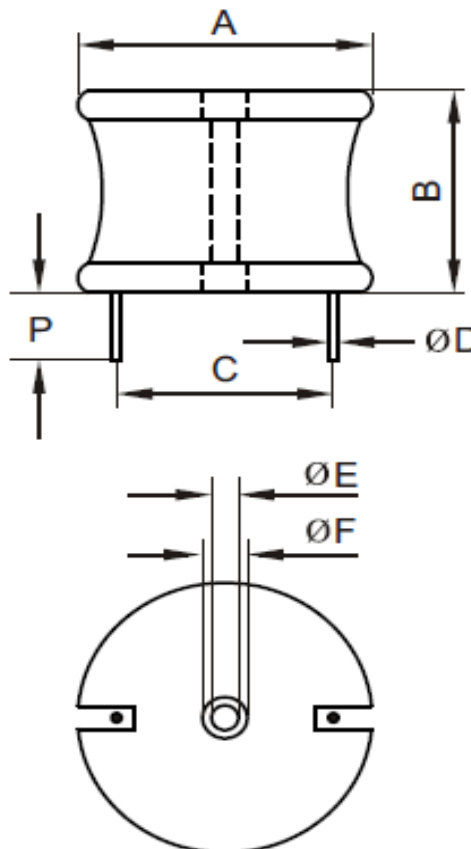
Applications

Switching Regulators
 RFI Suppression Filters
 SCR and TRIAC Controls Systems
 Automotive Systems
 Filters

Electrical Schematic



Dimensions



Dimensions

| A (mm) | B (mm) | P (mm) | E (mm) |
|--------|--------|--------|--------|
| 60,96 | 63,50 | 12,70 | 2,54 |
| F (mm) | C (mm) | D (mm) | |
| 6,35 | * | 5,72 | |

Electrical Characteristics

Technical Information

Testing LCR Bridge, measured @ 1KHz 0,1V HP4284A
 Equivalent acceptable
 RDC. QuadTech 1880 Milliohm meter
 IDC: Max. Lowers inductance by 10%
 Operating Temperature: -40°C ~ +85°C
 Storage Temperature: -40°C ~ +125°C
 Solder Methods: Vapor Phase, Infrared Reflow
 Marking: Inductance and tolerance
 Note: All specifications subject to change without notice.
 Moisture Resistance: L/L 10%

| Inductance | Inductance Code | IDC | DCR max. |
|------------|-----------------|-------|----------|
| 33μH | 330 | 55,0A | 0,0029Ω |

* Inductors wound with 2 Standards of wire. Consult EDCON for dimension.

| THT Radial Extremely High Current | |
|-----------------------------------|---------------|
| Part No.: | S10R49 |
| Customer: | |

| | | | | | | | |
|-------|-------|------|-------|--------|-------|-------|------------|
| DRW: | Jason | CHKD | Jules | MATL: | Wu | DATE | 18.05.2009 |
| APPD: | Join | | | FINISH | Shieh | Sheet | 1 from 2 |



Soldering Profile

Classification Reflow Profile (JEDEC J-STD-020C)



Ordering Information

| Serie | Inductance | Tolerance | No Function | ROHS | Packing |
|---------------|------------|-----------|-------------|----------|-------------|
| S10R49 | 330 | K | 0 | R | BU10 |

| | | | | |
|------------------|--------------------|-----------------------|----------------------------|-------------------------|
| 330= 33µH | K= Tol. 10% | 0= No function | R= ROHS conform | BU= Bulk Ware |
| | J= Tol. 5% | | N= NON ROHS conform | TY= Tray Package |

| | |
|--|---------------|
| THT Radial Extremely High Current | |
| Part No.: | S10R49 |
| Customer: | |

| | | | | | | | |
|-------|-------|------|-------|--------|-------|-------|------------|
| DRW: | Jason | CHKD | Jules | MATL: | Wu | DATE | 18.05.2009 |
| APPD: | Join | | | FINISH | Shieh | Sheet | 2 from 2 |

