



### Technical Specification

#### Features

Wire Wound Construction  
 High Saturation Material  
 Polyolefin Shrink Tubing  
 Low DC Resistance  
 High Reliability

#### Applications

Switching Regulators  
 RFI Suppression Filters  
 SCR and TRIAC Controls Systems  
 Automotive Systems  
 Filters

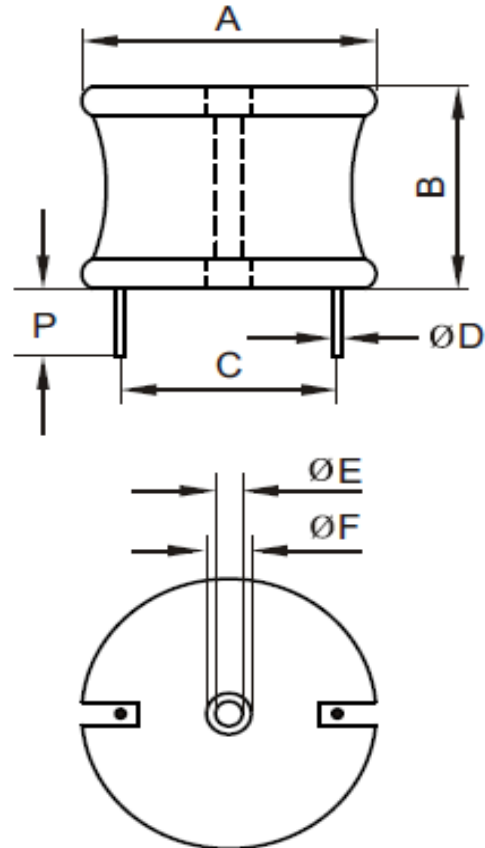
#### Electrical Schematic



#### Dimensions

<b>A (mm)</b>	<b>B (mm)</b>	<b>P (mm)</b>	<b>E (mm)</b>
60,96	63,50	12,70	2,54
<b>F (mm)</b>	<b>C (mm)</b>	<b>D (mm)</b>	
6,35	44,45	1,22	

#### Dimensions



### Electrical Characteristics

#### Technical Information

Testing LCR Bridge, measured @ 1KHz 0,1V HP4284A  
 Equivalent acceptacle  
 RDC. QuadTech 1880 Milliohmmer  
 IDC: Max. Lowers inductance by 10%  
 Operating Temperature: -40°C ~ +85°C  
 Storage Temperature: -40°C ~ +125°C  
 Solder Methods: Vapor Phase, Infrared Reflow  
 Marking: Inductance and tolerance  
 Note: All specifications subject to change without notice.

Moisture Resistance: L/L 10%

\* Inductors wound with 2 Standards of wire. Consult EDCON for dimension.

Inductance	Inductance Code	IDC	DCR max.
15000µH	153	4,0A	0,8030Ω

<b>THT Radial Extremely High Current</b>	
Part No.:	<b>S10R49</b>
Customer:	

DRW:	Jason	CHKD	Jules	MATL:	Wu	DATE	18.05.2009
APPD:	Join			FINISH	Shieh	Sheet	1 from 2



**Soldering Profile**

**Classification Reflow Profile (JEDEC J-STD-020C)**



**Ordering Information**

Serie	Inductance	Tolerance	No Function	ROHS	Packing
<b>S10R49</b>	<b>153</b>	<b>K</b>	<b>0</b>	<b>R</b>	<b>BU10</b>

<b>153=</b> 15000µH	<b>K= Tol. 10%</b> <b>J= Tol. 5%</b>	<b>0= No function</b>	<b>R= ROHS conform</b> <b>N=NON ROHS conform</b>	<b>BU= Bulk Ware</b> <b>TY= Tray Package</b>
------------------------	---	-----------------------	---	---

<b>THT Radial Extremely High Current</b>	
Part No.:	<b>S10R49</b>
Customer:	

DRW:	Jason	CHKD	Jules	MATL:	Wu	DATE	18.05.2009
APPD:	Join			FINISH	Shieh	Sheet	2 from 2

