



## Technical Specification

### Features

Wire Wound Construction  
 High Saturation Material  
 Polyolefin Shrink Tubing  
 Low DC Resistance  
 High Reliability

### Applications

Switching Regulators  
 RFI Suppression Filters  
 SCR and TRIAC Controls Systems  
 Automotive Systems  
 Filters

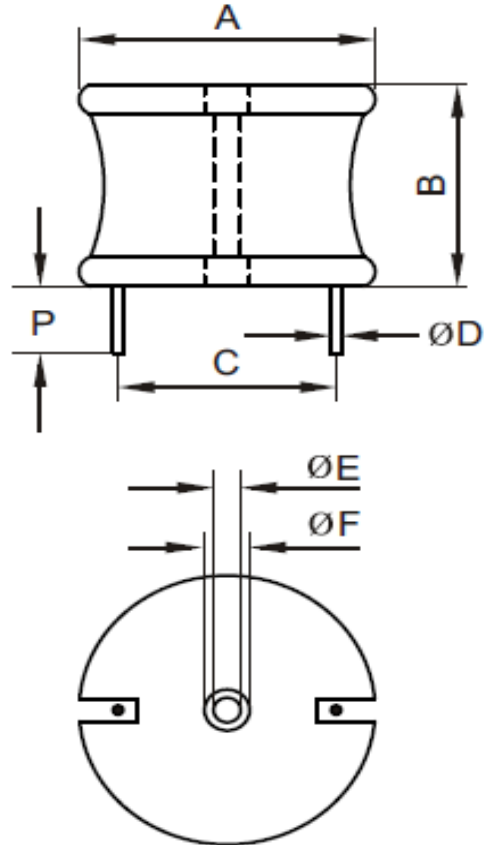
### Electrical Schematic



### Dimensions

| A (mm) | B (mm) | P (mm) | E (mm) |
|--------|--------|--------|--------|
| 50,80  | 38,10  | 12,70  | 2,54   |
| F (mm) | C (mm) | D (mm) |        |
| 6,35   | 37,60  | 2,67   |        |

### Dimensions



## Electrical Characteristics

### Technical Information

Testing LCR Bridge, measured @ 1KHz 0,1V HP4284A  
 Equivalent acceptable  
 RDC. QuadTech 1880 Milliohm meter  
 IDC: Max. Lowers inductance by 10%  
 Operating Temperature: -40°C ~ +85°C  
 Storage Temperature: -40°C ~ +125°C  
 Solder Methods: Vapor Phase, Infrared Reflow  
 Marking: Inductance and tolerance  
 Note: All specifications subject to change without notice.  
 Moisture Resistance: L/L 10%

| Inductance | Inductance Code | IDC    | DCR max. |
|------------|-----------------|--------|----------|
| 12μH       | 120             | 35,00A | 0,0040Ω  |

### THT Radial Extremely High Current

Part No.: **S10R46**

Customer:

|       |       |      |       |        |       |       |            |
|-------|-------|------|-------|--------|-------|-------|------------|
| DRW:  | Jason | CHKD | Jules | MATL:  | Wu    | DATE  | 18.05.2009 |
| APPD: | Join  |      |       | FINISH | Shieh | Sheet | 1 from 2   |

Copyright by EDCON-COMPONENTS H.Schmitt 20.6.2008



**Soldering Profile**

**Classification Reflow Profile (JEDEC J-STD-020C)**



**Ordering Information**

| Serie         | Inductance | Tolerance | No Function | ROHS     | Packing     |
|---------------|------------|-----------|-------------|----------|-------------|
| <b>S10R46</b> | <b>120</b> | <b>K</b>  | <b>0</b>    | <b>R</b> | <b>BU10</b> |

|                   |                     |                        |                            |                          |
|-------------------|---------------------|------------------------|----------------------------|--------------------------|
| <b>120</b> = 12µH | <b>K</b> = Tol. 10% | <b>0</b> = No function | <b>R</b> = ROHS conform    | <b>BU</b> = Bulk Ware    |
|                   | <b>J</b> = Tol. 5%  |                        | <b>N</b> =NON ROHS conform | <b>TY</b> = Tray Package |

|  |               |
|--|---------------|
| <b>THT Radial Extremely High Current</b> |               |
| Part No.:                                | <b>S10R46</b> |
| Customer:                                |               |

|       |       |      |       |        |       |       |            |
|-------|-------|------|-------|--------|-------|-------|------------|
| DRW:  | Jason | CHKD | Jules | MATL:  | Wu    | DATE  | 18.05.2009 |
| APPD: | Join  |      |       | FINISH | Shieh | Sheet | 2 from 2   |

