



## Technical Specification

### Features

Wire Wound Construction  
 High Saturation Material  
 Polyolefin Shrink Tubing  
 Low DC Resistance  
 High Reliability

### Applications

Switching Regulators  
 RFI Suppression Filters  
 SCR and TRIAC Controls Systems  
 Automotive Systems  
 Filters

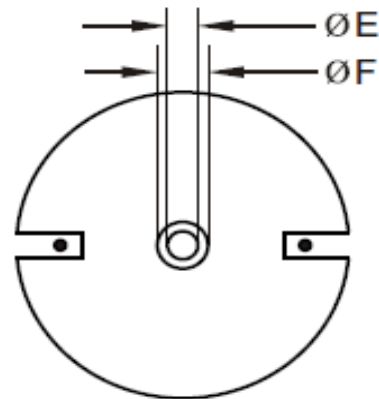
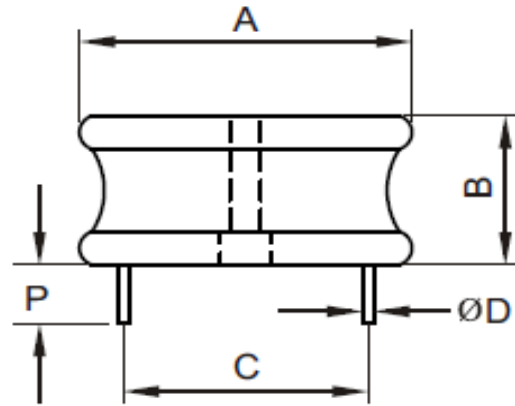
### Electrical Schematic



### Dimensions

| A (mm) | B (mm) | P (mm) | E (mm) |
|--------|--------|--------|--------|
| 50,80  | 18,80  | 12,70  | 6,35   |
| F (mm) | C (mm) | D (mm) |        |
| 8,53   | 36,32  | 1,92   |        |

### Dimensions



## Electrical Characteristics

### Technical Information

Testing LCR Bridge, measured @ 1KHz 0,1V HP4284A  
 Equivalent acceptable  
 RDC. QuadTech 1880 Milliohmmeter  
 IDC: Max. Lowers inductance by 10%  
 Operating Temperature: -40°C ~ +85°C  
 Storage Temperature: -40°C ~ +125°C  
 Solder Methods: Vapor Phase, Infrared Reflow  
 Marking: Inductance and tolerance  
 Note: All specifications subject to change without notice.  
 Moisture Resistance: L/L 10%

| Inductance | Inductance Code | IDC   | DCR max. |
|------------|-----------------|-------|----------|
| 82µH       | 820             | 14,8A | 0,2020Ω  |

### THT Radial Extremely High Current Low Profile

Part No.: **S10R45**

Customer:

|       |       |      |       |        |       |       |            |
|-------|-------|------|-------|--------|-------|-------|------------|
| DRW:  | Jason | CHKD | Jules | MATL:  | Wu    | DATE  | 18.05.2009 |
| APPD: | Join  |      |       | FINISH | Shieh | Sheet | 1 from 2   |



**Soldering Profile**

**Classification Reflow Profile (JEDEC J-STD-020C)**



**Ordering Information**

| Serie | Inductance | Tolerance | No Function | ROHS | Packing |
|-------|------------|-----------|-------------|------|---------|
|-------|------------|-----------|-------------|------|---------|

|               |            |          |          |          |             |
|---------------|------------|----------|----------|----------|-------------|
| <b>S10R45</b> | <b>820</b> | <b>K</b> | <b>0</b> | <b>R</b> | <b>BU10</b> |
|---------------|------------|----------|----------|----------|-------------|

|                  |                    |                       |                            |                         |
|------------------|--------------------|-----------------------|----------------------------|-------------------------|
| <b>820=</b> 82µH | <b>K=</b> Tol. 10% | <b>0=</b> No function | <b>R=</b> ROHS conform     | <b>BU=</b> Bulk Ware    |
|                  | <b>J=</b> Tol. 5%  |                       | <b>N=</b> NON ROHS conform | <b>TY=</b> Tray Package |

**THT Radial Extremely High Current Low Profile**

Part No.: **S10R45**  
 Customer:

|       |       |      |       |        |       |       |            |
|-------|-------|------|-------|--------|-------|-------|------------|
| DRW:  | Jason | CHKD | Jules | MATL:  | Wu    | DATE  | 18.05.2009 |
| APPD: | Join  |      |       | FINISH | Shieh | Sheet | 2 from 2   |

