



Technical Specification

Features

- Wire Wound Construction
- High Saturation Material
- Polyolefin Shrink Tubing
- Low DC Resistance
- High Reliability

Applications

- Switching Regulators
- RFI Suppression Filters
- SCR and TRIAC Controls Systems
- Automotive Systems
- Filters

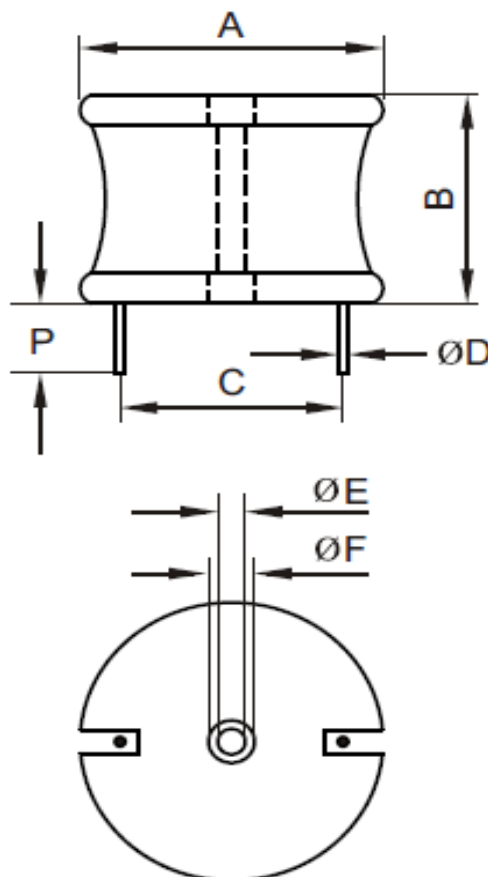
Electrical Schematic



Dimensions

| A (mm) | B (mm) | P (mm) | E (mm) |
|--------|--------|--------|--------|
| 40,64 | 36,83 | 12,70 | 2,54 |
| F (mm) | C (mm) | D (mm) | |
| 6,35 | 32,52 | 2,14 | |

Dimensions



Electrical Characteristics

Technical Information

Testing LCR Bridge, measured @ 1KHz 0,1V HP4284A
 Equivalent acceptable
 RDC. QuadTech 1880 Milliohmmeter
 IDC: Max. Lowers inductance by 10%
 Operating Temperature: -40°C ~ +85°C
 Storage Temperature: -40°C ~ +125°C
 Solder Methods: Vapor Phase, Infrared Reflow
 Marking: Inductance and tolerance
 Note: All specifications subject to change without notice.
 Moisture Resistance: L/L 10%

| Inductance | Inductance Code | IDC | DCR max. |
|------------|-----------------|-----|----------|
| 82µH | 820 | 21A | 0,0170Ω |

THT Radial Extremely High Current

Part No.: **S10R44**

Customer:

| | | | | | | | |
|-------|-------|------|-------|--------|-------|-------|------------|
| DRW: | Jason | CHKD | Jules | MATL: | Wu | DATE | 18.05.2009 |
| APPD: | Join | | | FINISH | Shieh | Sheet | 1 from 2 |



Soldering Profile

Classification Reflow Profile (JEDEC J-STD-020C)



Ordering Information

| Serie | Inductance | Tolerance | No Function | ROHS | Packing |
|-------|------------|-----------|-------------|------|---------|
|-------|------------|-----------|-------------|------|---------|

| | | | | | |
|---------------|------------|----------|----------|----------|-------------|
| S10R44 | 820 | K | 0 | R | BU10 |
|---------------|------------|----------|----------|----------|-------------|

| | | | | |
|------------------|--------------------|-----------------------|----------------------------|-------------------------|
| 820= 82µH | K= Tol. 10% | 0= No function | R= ROHS conform | BU= Bulk Ware |
| | J= Tol. 5% | | N= NON ROHS conform | TY= Tray Package |

| | |
|--|---------------|
| THT Radial Extremely High Current | |
| Part No.: | S10R44 |
| Customer: | |

| | | | | | | | |
|-------|-------|------|-------|--------|-------|-------|------------|
| DRW: | Jason | CHKD | Jules | MATL: | Wu | DATE | 18.05.2009 |
| APPD: | Join | | | FINISH | Shieh | Sheet | 2 from 2 |

