



### Technical Specification

#### Features

Wire Wound Construction  
High Saturation Material  
Polyolefin Shrink Tubing  
Low DC Resistance  
High Reliability

#### Applications

Switching Regulators  
RFI Suppression Filters  
SCR and TRIAC Controls Systems  
Automotive Systems  
Filters

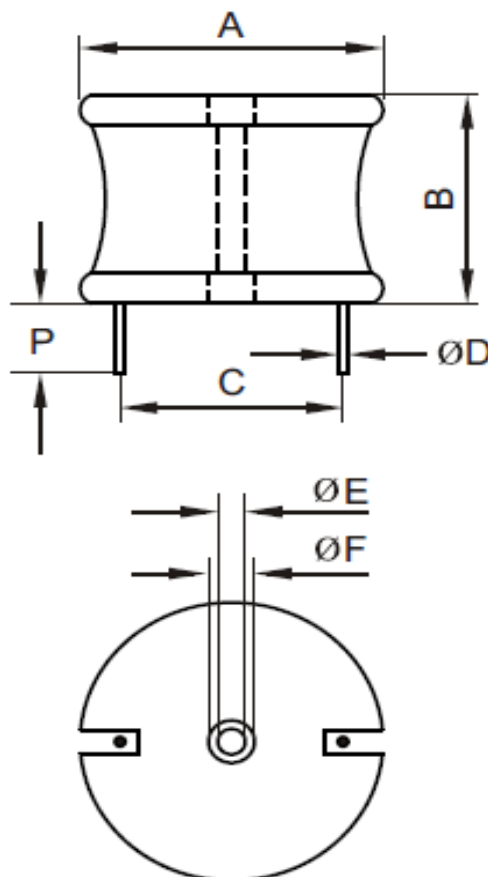
#### Electrical Schematic



#### Dimensions

A (mm)	B (mm)	P (mm)	E (mm)
40,64	36,83	12,70	2,54
F (mm)	C (mm)	D (mm)	
6,35	27,18	1,37	

#### Dimensions



### Electrical Characteristics

#### Technical Information

Testing LCR Bridge, measured @ 1KHz 0,1V HP4284A  
Equivalent acceptable  
RDC. QuadTech 1880 Milliohmmeter  
IDC: Max. Lowers inductance by 10%  
Operating Temperature: -40°C ~ +85°C  
Storage Temperature: -40°C ~ +125°C  
Solder Methods: Vapor Phase, Infrared Reflow  
Marking: Inductance and tolerance  
Note: All specifications subject to change without notice.  
Moisture Resistance: L/L 10%

Inductance	Inductance Code	IDC	DCR max.
560µH	561	9,0A	0,1050Ω

#### THT Radial Extremely High Current

Part No.: **S10R44**

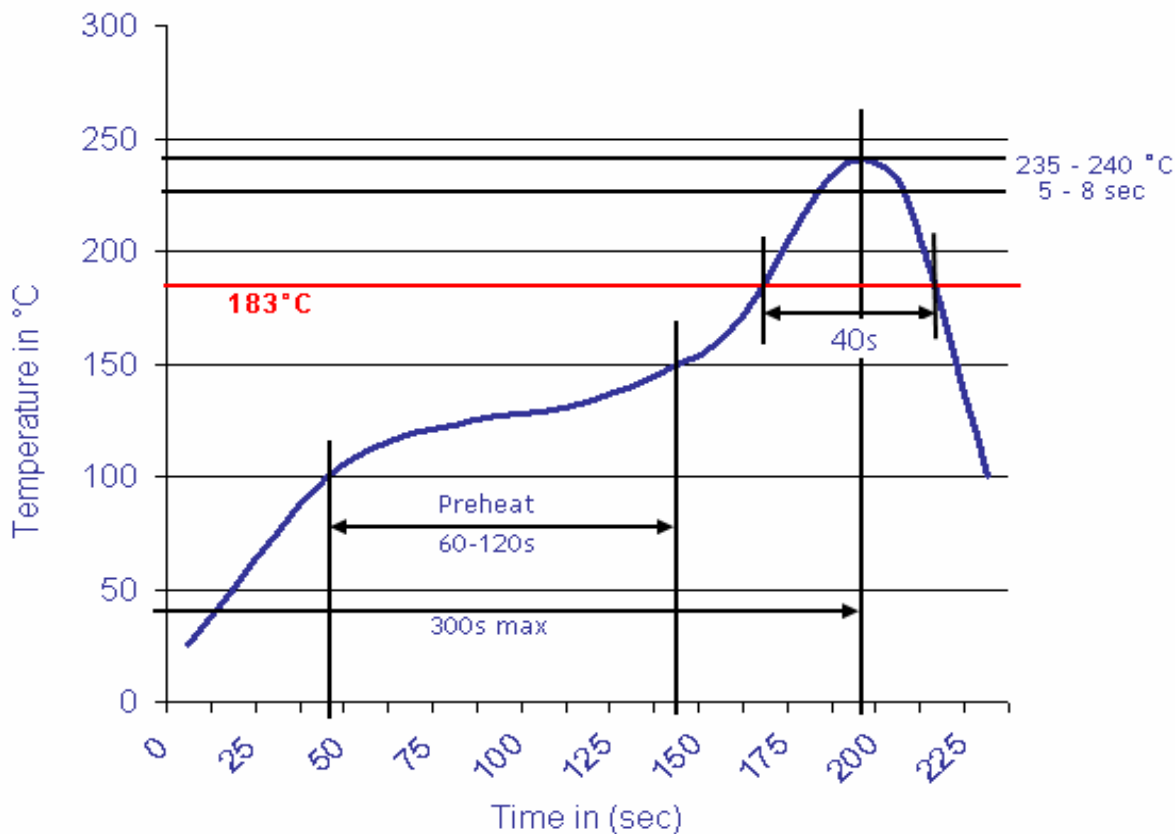
Customer:

DRW:	Jason	CHKD	Jules	MATL:	Wu	DATE	18.05.2009
APPD:	Join			FINISH	Shieh	Sheet	1 from 2



**Soldering Profile**

**Classification Reflow Profile (JEDEC J-STD-020C)**



**Ordering Information**

Serie	Inductance	Tolerance	No Function	ROHS	Packing
-------	------------	-----------	-------------	------	---------

<b>S10R44</b>	<b>561</b>	<b>K</b>	<b>0</b>	<b>R</b>	<b>BU10</b>
---------------	------------	----------	----------	----------	-------------

<b>561</b> = 560µH	<b>K</b> = Tol. 10%	<b>0</b> = No function	<b>R</b> = ROHS conform	<b>BU</b> = Bulk Ware
	<b>J</b> = Tol. 5%		<b>N</b> =NON ROHS conform	<b>TY</b> = Tray Package

<b>THT Radial Extremely High Current</b>	
Part No.:	<b>S10R44</b>
Customer:	

DRW:	Jason	CHKD	Jules	MATL:	Wu	DATE	18.05.2009
APPD:	Join			FINISH	Shieh	Sheet	2 from 2

