



**Technical Specification**

**Features**

- Wire Wound Construction
- High Saturation Material
- Polyolefin Shrink Tubing
- Low DC Resistance
- High Reliability

**Applications**

- Switching Regulators
- RFI Suppression Filters
- SCR and TRIAC Controls Systems
- Automotive Systems
- Filters

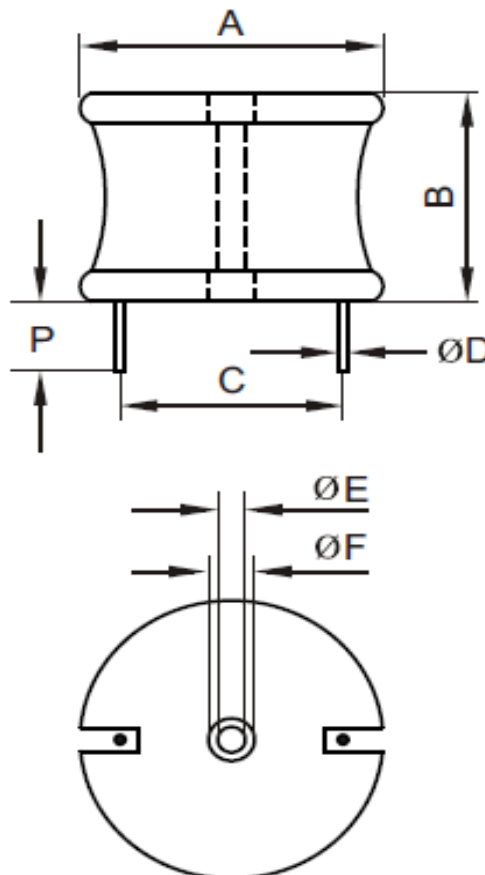
**Electrical Schematic**



**Dimensions**

<b>A (mm)</b>	<b>B (mm)</b>	<b>P (mm)</b>	<b>E (mm)</b>
40,64	36,83	12,70	2,54
<b>F (mm)</b>	<b>C (mm)</b>	<b>D (mm)</b>	
6,35	27,94	1,73	

**Dimensions**



**Electrical Characteristics**

**Technical Information**

Testing LCR Bridge, measured @ 1KHz 0,1V HP4284A  
 Equivalent acceptable  
 RDC. QuadTech 1880 Milliohm meter  
 IDC: Max. Lowers inductance by 10%  
 Operating Temperature: -40°C ~ +85°C  
 Storage Temperature: -40°C ~ +125°C  
 Solder Methods: Vapor Phase, Infrared Reflow  
 Marking: Inductance and tolerance  
 Note: All specifications subject to change without notice.  
 Moisture Resistance: L/L 10%

Inductance	Inductance Code	IDC	DCR max.
220µH	221	13,5A	0,0400Ω

**THT Radial Extremely High Current**

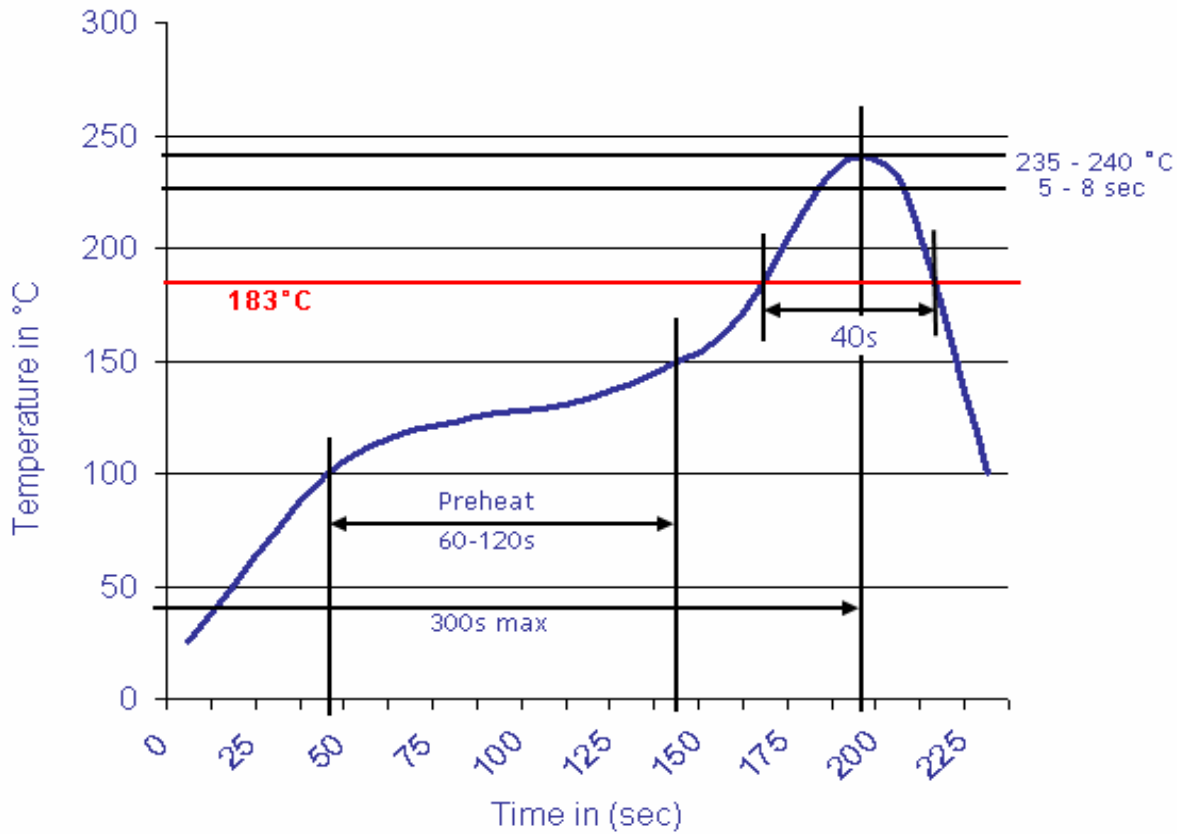
Part No.: **S10R44**  
 Customer:

DRW:	Jason	CHKD	Jules	MATL:	Wu	DATE	18.05.2009
APPD:	Join			FINISH	Shieh	Sheet	1 from 2



**Soldering Profile**

**Classification Reflow Profile (JEDEC J-STD-020C)**



**Ordering Information**

Serie	Inductance	Tolerance	No Function	ROHS	Packing
<b>S10R44</b>	<b>221</b>	<b>K</b>	<b>0</b>	<b>R</b>	<b>BU10</b>

<b>221=</b> 220µH	<b>K=</b> Tol. 10%	<b>0=</b> No function	<b>R=</b> ROHS conform	<b>BU=</b> Bulk Ware
	<b>J=</b> Tol. 5%		<b>N=</b> NON ROHS conform	<b>TY=</b> Tray Package

**THT Radial Extremely High Current**

Part No.: **S10R44**

Customer:

DRW:	Jason	CHKD	Jules	MATL:	Wu	DATE	18.05.2009
APPD:	Join			FINISH	Shieh	Sheet	2 from 2

