



### Technical Specification

#### Features

Wire Wound Construction  
High Saturation Material  
Poleolefin Shrink Tubing  
Low DC Resistance  
High Reliability

#### Applications

Switching Regulators  
RFI Suppression Filters  
SCR and TRIAC Controls Systems  
Automotive Systems

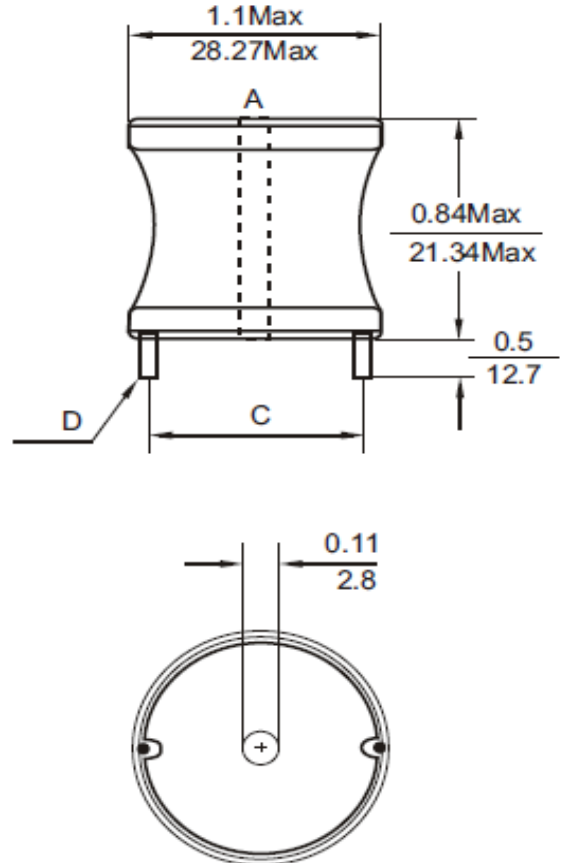
#### Electrical Schematic



#### Dimensions

C (mm)	D (mm)
28,95	0,91

#### Dimensions



### Electrical Characteristics

#### Technical Information

Testing LCR Bridge, measured @ 1KHz 0,1V HP4284A  
Equivalent acceptable  
RDC. QuadTech 1880 Milliohmeter  
Rated Current: L value drop 10% typ. At Idc against the initial value Temperature rise 40 Max. Reference ambient temperature  
Solderability: 75% of the lead wire shall be covered  
Solder Methods: Wave, Reflow  
Operating Temperature: -40°C ~ +85°C  
Storage Temperature: -40°C ~ +125°C  
Marking: Inductance and tolerance  
Moisture resistance: L/L 10% Q/Q 25%  
Note: All specifications subject to change without notice.

Inductance	Inductance Code	IDC	DCR max.
1800µH	182	4,5A	0,360Ω

THT Radial Extremely High Current	
Part No.:	<b>S10R40</b>
Customer:	

DRW:	Jason	CHKD	Jules	MATL:	Wu	DATE	16.05.2009
APPD:	Join			FINISH	Shieh	Sheet	1 from 2



**Soldering Profile**

**Classification Reflow Profile (JEDEC J-STD-020C)**



**Ordering Information**

Serie	Inductance	Tolerance	No Function	ROHS	Packing
<b>S10R40</b>	<b>182</b>	<b>K</b>	<b>0</b>	<b>R</b>	<b>BU10</b>

<b>182=</b> 1800µH	<b>K=</b> Tol. 10%	<b>0=</b> No function	<b>R=</b> ROHS conform	<b>BU=</b> Bulk Ware
	<b>J=</b> Tol. 5%		<b>N=</b> NON ROHS conform	<b>TY=</b> Tray Package

<b>THT Radial Extremely High Current</b>	
Part No.:	<b>S10R40</b>
Customer:	

DRW:	Jason	CHKD	Jules	MATL:	Wu	DATE	16.05.2009
APPD:	Join			FINISH	Shieh	Sheet	2 from 2

