



Technical Specification

Features

Wire Wound Construction
High Saturation Material
Poleolefin Shrink Tubing
Low DC Resistance
High Reliability

Applications

Switching Regulators
RFI Suppression Filters
SCR and TRIAC Controls Systems
Automotive Systems

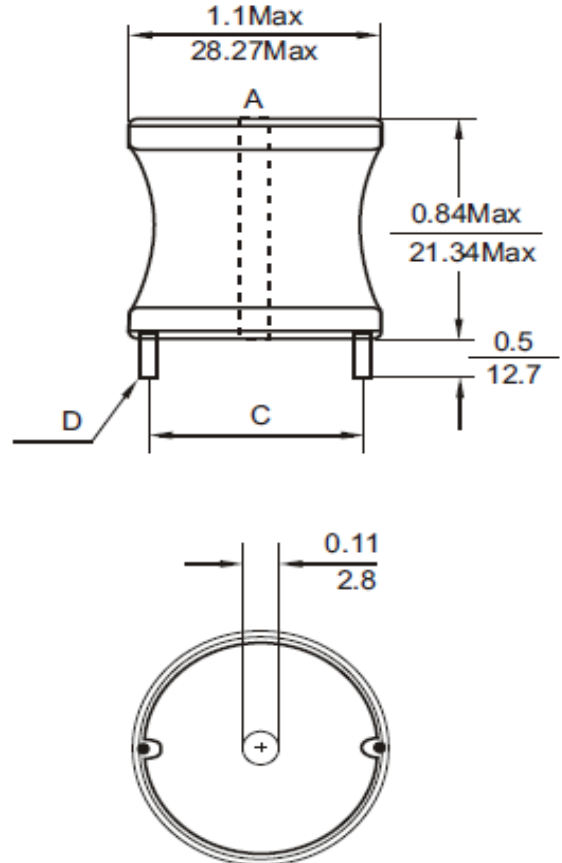
Electrical Schematic



Dimensions

| C (mm) | D (mm) |
|--------|--------|
| 29,21 | 1,44 |

Dimensions



Electrical Characteristics

Technical Information

Testing LCR Bridge, measured @ 1KHz 0,1V HP4284A
Equivalent acceptacle
RDC. QuadTech 1880 Milliohmmeter
Rated Current: L value drop 10% typ. At Idc against
the initial value Temperature rise 40 Max. Referrence
ambient temperature
Solderability: 75% of the lead wire shall be covered
Solder Methods: Wave, Reflow
Operating Temperature: -40°C ~ +85°C
Storage Temperature: -40°C ~ +125°C
Marking: Inductance and tolerance
Moisture resistance: L/L 10% Q/Q 25%
Note: All specifications subject to change without
notice.

| Inductance | Inductance Code | IDC | DCR max. |
|------------|-----------------|-------|----------|
| 180μH | 181 | 14,4A | 0,045Ω |

THT Radial Extremely High Current

Part No.: **S10R40**

Customer:

| | | | | | | | |
|-------|-------|------|-------|--------|-------|-------|------------|
| DRW: | Jason | CHKD | Jules | MATL: | Wu | DATE | 16.05.2009 |
| APPD: | Join | | | FINISH | Shieh | Sheet | 1 from 2 |



Soldering Profile

Classification Reflow Profile (JEDEC J-STD-020C)



Ordering Information

| Serie | Inductance | Tolerance | No Function | ROHS | Packing |
|-------|------------|-----------|-------------|------|---------|
|-------|------------|-----------|-------------|------|---------|

| | | | | | |
|---------------|------------|----------|----------|----------|-------------|
| S10R40 | 181 | K | 0 | R | BU10 |
|---------------|------------|----------|----------|----------|-------------|

| | | | | |
|--------------------|---------------------|------------------------|----------------------------|--------------------------|
| 181 = 180µH | K = Tol. 10% | 0 = No function | R = ROHS conform | BU = Bulk Ware |
| | J = Tol. 5% | | N =NON ROHS conform | TY = Tray Package |

| | |
|--|---------------|
| THT Radial Extremely High Current | |
| Part No.: | S10R40 |
| Customer: | |

| | | | | | | | |
|-------|-------|------|-------|--------|-------|-------|------------|
| DRW: | Jason | CHKD | Jules | MATL: | Wu | DATE | 16.05.2009 |
| APPD: | Join | | | FINISH | Shieh | Sheet | 2 from 2 |

