



Technical Specification

Features

Wire Wound Construction
 High Saturation Material
 Poleolefin Shrink Tubing
 Low DC Resistance
 High Reliability

Applications

Switching Regulators
 RFI Suppression Filters
 SCR and TRIAC Controls Systems
 Automotive Systems

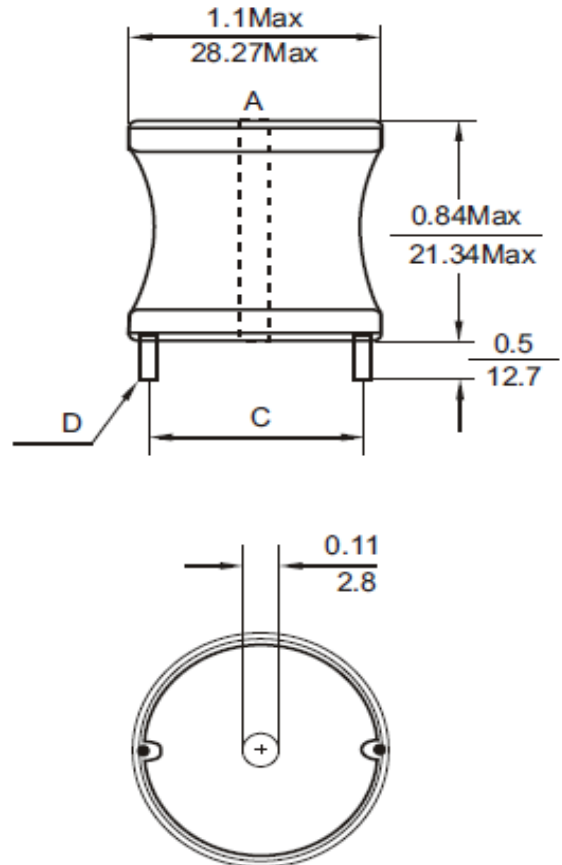
Electrical Schematic



Dimensions

C (mm)	D (mm)
28,95	0,91

Dimensions



Electrical Characteristics

Technical Information

Testing LCR Bridge, measured @ 1KHz 0,1V HP4284A
 Equivalent acceptacle
 RDC. QuadTech 1880 Milliohmmeter
 Rated Current: L value drop 10% typ. At Idc against
 the initial value Temperature rise 40 Max. Referrence
 ambient temperature
 Solderability: 75% of the lead wire shall be covered
 Solder Methods: Wave, Reflow
 Operating Temperature: -40°C ~ +85°C
 Storage Temperature: -40°C ~ +125°C
 Marking: Inductance and tolerance
 Moisture resistance: L/L 10% Q/Q 25%
 Note: All specifications subject to change without
 notice.

Inductance	Inductance Code	IDC	DCR max.
1500μH	152	4,5A	0,324Ω

THT Radial Extremely High Current	
Part No.:	S10R40
Customer:	

DRW:	Jason	CHKD	Jules	MATL:	Wu	DATE	16.05.2009
APPD:	Join			FINISH	Shieh	Sheet	1 from 2



Soldering Profile

Classification Reflow Profile (JEDEC J-STD-020C)



Ordering Information

Serie	Inductance	Tolerance	No Function	ROHS	Packing
-------	------------	-----------	-------------	------	---------

S10R40	152	K	0	R	BU10
---------------	------------	----------	----------	----------	-------------

152= 1500µH	K= Tol. 10%	0= No function	R= ROHS conform	BU= Bulk Ware
	J= Tol. 5%		N= NON ROHS conform	TY= Tray Package

THT Radial Extremely High Current	
Part No.:	S10R40
Customer:	

DRW:	Jason	CHKD	Jules	MATL:	Wu	DATE	16.05.2009
APPD:	Join			FINISH	Shieh	Sheet	2 from 2

