



### Technical Specification

#### Features

Wire Wound Construction  
High Saturation Material  
Poleolefin Shrink Tubing  
Low DC Resistance  
High Reliability

#### Applications

Switching Regulators  
RFI Suppression Filters  
SCR and TRIAC Controls Systems  
Automotive Systems

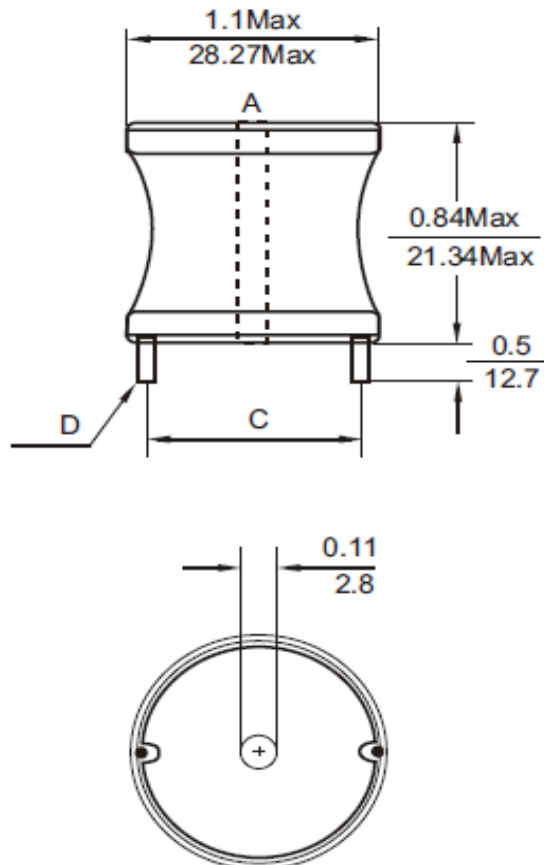
#### Electrical Schematic



#### Dimensions

| C (mm) | D (mm) |
|--------|--------|
| 20,06  | 1,37   |

#### Dimensions



### Electrical Characteristics

#### Technical Information

Testing LCR Bridge, measured @ 1KHz 0,1V HP4284A  
Equivalent acceptable  
RDC. QuadTech 1880 Milliohmmeter  
Rated Current: L value drop 10% typ. At Idc against the initial value Temperature rise 40 Max. Reference ambient temperature  
Solderability: 75% of the lead wire shall be covered  
Solder Methods: Wave, Reflow  
Operating Temperature: -40°C ~ +85°C  
Storage Temperature: -40°C ~ +125°C  
Marking: Inductance and tolerance  
Moisture resistance: L/L 10% Q/Q 25%  
Note: All specifications subject to change without notice.

| Inductance | Inductance Code | IDC  | DCR max. |
|------------|-----------------|------|----------|
| 82,0µH     | 820             | 9,0A | 0,032Ω   |

#### THT Radial Extremely High Current

Part No.: **S10R39**

Customer:

|       |       |      |       |        |       |       |            |
|-------|-------|------|-------|--------|-------|-------|------------|
| DRW:  | Jason | CHKD | Jules | MATL:  | Wu    | DATE  | 16.05.2009 |
| APPD: | Join  |      |       | FINISH | Shieh | Sheet | 1 from 2   |



**Soldering Profile**

**Classification Reflow Profile (JEDEC J-STD-020C)**



**Ordering Information**

| Serie         | Inductance | Tolerance | No Function | ROHS     | Packing     |
|---------------|------------|-----------|-------------|----------|-------------|
| <b>S10R39</b> | <b>820</b> | <b>K</b>  | <b>0</b>    | <b>R</b> | <b>BU10</b> |

|                  |                    |                       |                            |                         |
|------------------|--------------------|-----------------------|----------------------------|-------------------------|
| <b>820=</b> 82µH | <b>K=</b> Tol. 10% | <b>0=</b> No function | <b>R=</b> ROHS conform     | <b>BU=</b> Bulk Ware    |
|                  | <b>J=</b> Tol. 5%  |                       | <b>N=</b> NON ROHS conform | <b>TY=</b> Tray Package |

| <b>THT Radial Extremely High Current</b> |               |
|--|---------------|
| Part No.:                                | <b>S10R39</b> |
| Customer:                                |               |

|       |       |      |       |        |       |       |            |
|-------|-------|------|-------|--------|-------|-------|------------|
| DRW:  | Jason | CHKD | Jules | MATL:  | Wu    | DATE  | 16.05.2009 |
| APPD: | Join  |      |       | FINISH | Shieh | Sheet | 2 from 2   |

