



Technical Specification

Features

Wire Wound Construction
 High Saturation Material
 Poleolefin Shrink Tubing
 Low DC Resistance
 High Reliability

Applications

Switching Regulators
 RFI Suppression Filters
 SCR and TRIAC Controls Systems
 Automotive Systems

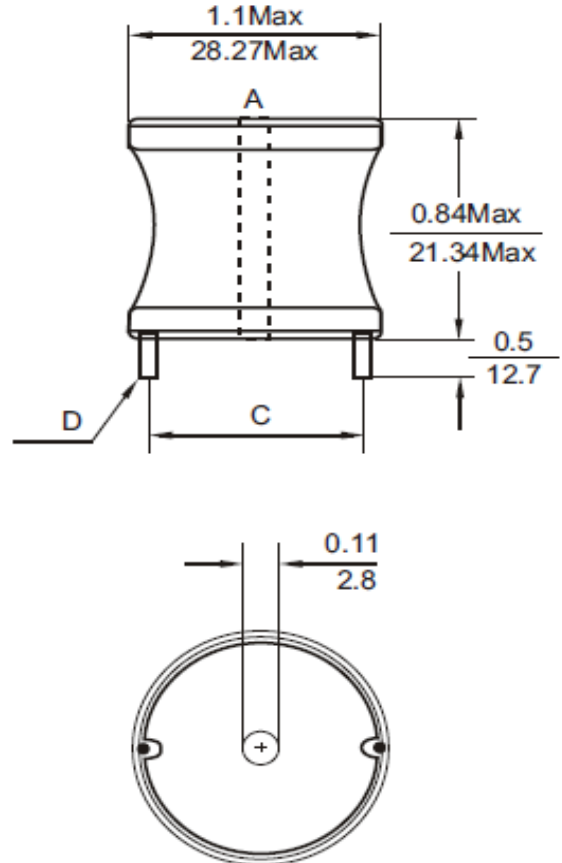
Electrical Schematic



Dimensions

| C (mm) | D (mm) |
|--------|--------|
| 19,05 | 0,58 |

Dimensions



Electrical Characteristics

Technical Information

Testing LCR Bridge, measured @ 1KHz 0,1V HP4284A
 Equivalent acceptacle
 RDC. QuadTech 1880 Milliohmmeter
 Rated Current: L value drop 10% typ. At Idc against
 the initial value Temperature rise 40 Max. Referenre
 ambient temperature
 Solderability: 75% of the lead wire shall be covered
 Solder Methods: Wave, Reflow
 Operating Temperature: -40°C ~ +85°C
 Storage Temperature: -40°C ~ +125°C
 Marking: Inductance and tolerance
 Moisture resistance: L/L 10% Q/Q 25%
 Note: All specifications subject to change without
 notice.

| Inductance | Inductance Code | IDC | DCR max. |
|------------|-----------------|------|----------|
| 2700µH | 272 | 1,3A | 1,140Ω |

| THT Radial Extremely High Current | |
|-----------------------------------|---------------|
| Part No.: | S10R39 |
| Customer: | |

| | | | | | | | |
|-------|-------|------|-------|--------|-------|-------|------------|
| DRW: | Jason | CHKD | Jules | MATL: | Wu | DATE | 16.05.2009 |
| APPD: | Join | | | FINISH | Shieh | Sheet | 1 from 2 |



Soldering Profile

Classification Reflow Profile (JEDEC J-STD-020C)



Ordering Information

| Serie | Inductance | Tolerance | No Function | ROHS | Packing |
|-------|------------|-----------|-------------|------|---------|
|-------|------------|-----------|-------------|------|---------|

| | | | | | |
|---------------|------------|----------|----------|----------|-------------|
| S10R39 | 272 | K | 0 | R | BU10 |
|---------------|------------|----------|----------|----------|-------------|

| | | | | |
|--------------------|--------------------|-----------------------|----------------------------|-------------------------|
| 272= 2700µH | K= Tol. 10% | 0= No function | R= ROHS conform | BU= Bulk Ware |
| | J= Tol. 5% | | N= NON ROHS conform | TY= Tray Package |

| | |
|--|---------------|
| THT Radial Extremely High Current | |
| Part No.: | S10R39 |
| Customer: | |

| | | | | | | | |
|-------|-------|------|-------|--------|-------|-------|------------|
| DRW: | Jason | CHKD | Jules | MATL: | Wu | DATE | 16.05.2009 |
| APPD: | Join | | | FINISH | Shieh | Sheet | 2 from 2 |

