



Technical Specification

Features

- Wire Wound Construction
- High Saturation Material
- Poleolefin Shrink Tubing
- Low DC Resistance
- High Reliability

Applications

- Switching Regulators
- RFI Suppression Filters
- SCR and TRIAC Controls Systems
- Automotive Systems

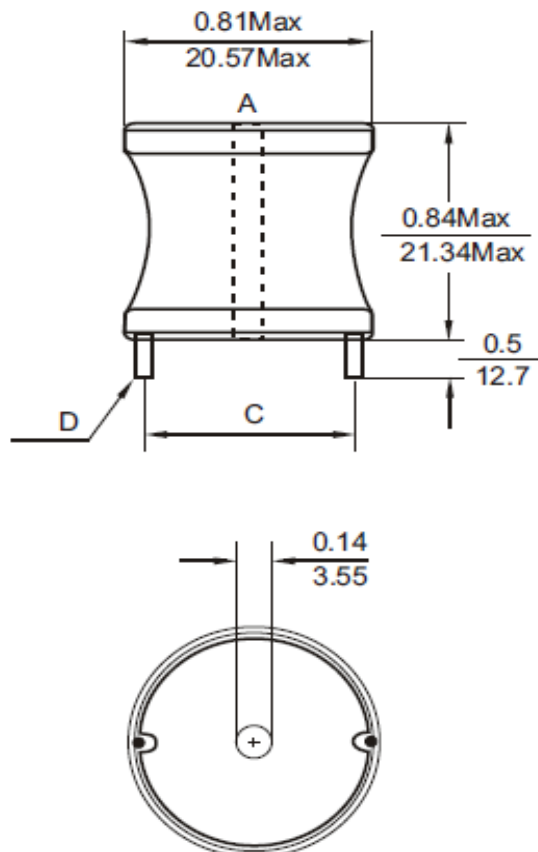
Electrical Schematic



Dimensions

C (mm)	D (mm)
15,24	0,73

Dimensions



Electrical Characteristics

Technical Information

Testing LCR Bridge, measured @ 1KHz 0,1V HP4284A
 Equivalent acceptacle
 RDC. QuadTech 1880 Milliohmmeter
 Rated Current: L value drop 10% typ. At Idc against
 the initial value Temperature rise 40 Max. Reference
 ambient temperature
 Solderability: 75% of the lead wire shall be covered
 Solder Methods: Wave, Reflow
 Operating Temperature: -40°C ~ +85°C
 Storage Temperature: -40°C ~ +125°C
 Marking: Inductance and tolerance
 Moisture resistance: L/L 10% Q/Q 25%
 Note: All specifications subject to change without
 notice.

Inductance	Inductance Code	IDC	DCR max.
330μH	331	1,6A	0,305Ω

THT Radial Extremely High Current

Part No.: **S10R38**

Customer:

DRW:	Jason	CHKD	Jules	MATL:	Wu	DATE	12.05.2009
APPD:	Join			FINISH	Shieh	Sheet	1 from 2



Soldering Profile

Classification Reflow Profile (JEDEC J-STD-020C)



Ordering Information

Serie	Inductance	Tolerance	Function	ROHS	Packing
S10R38	331	K	0	R	BU10

331= 330µH	K= Tol. 10%	0= No function	R= ROHS conform	BU= Bulk Ware
	J= Tol. 5%		N= NON ROHS conform	TY= Tray Package

THT Radial Extremely High Current	
Part No.:	S10R38
Customer:	

DRW:	Jason	CHKD	Jules	MATL:	Wu	DATE	12.05.2009
APPD:	Join			FINISH	Shieh	Sheet	2 from 2

