



**Technical Specification**

**Features**

Wire Wound Construction  
 High Saturation Material  
 Poleolefin Shrink Tubing  
 Low DC Resistance  
 High Reliability

**Applications**

Switching Regulators  
 RFI Suppression Filters  
 SCR and TRIAC Controls Systems  
 Automotive Systems

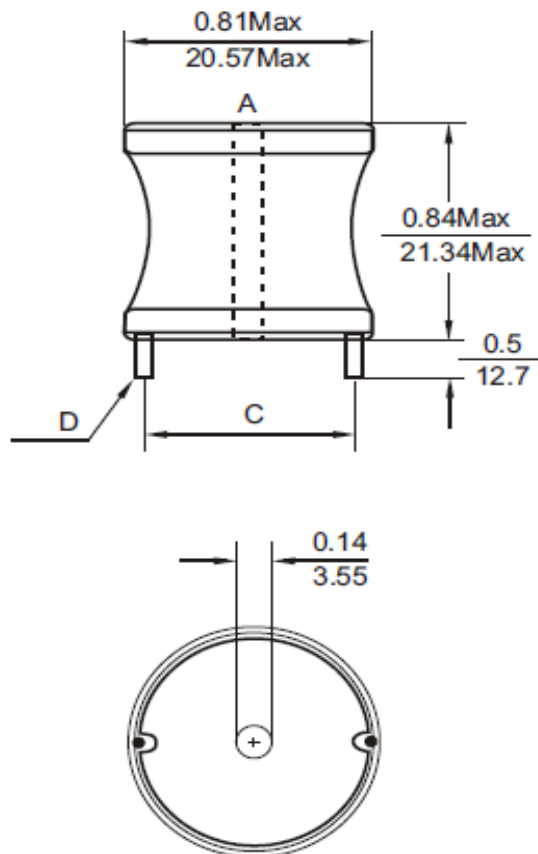
**Electrical Schematic**



**Dimensions**

C (mm)	D (mm)
15,24	0,51

**Dimensions**



**Electrical Characteristics**

**Technical Information**

Testing LCR Bridge, measured @ 1KHz 0,1V HP4284A  
 Equivalent acceptacle  
 RDC. QuadTech 1880 Milliohmmeter  
 Rated Current: L value drop 10% typ. At Idc against  
 the initial value Temperature rise 40 Max. Referrence  
 ambient temperature  
 Solderability: 75% of the lead wire shall be covered  
 Solder Methods: Wave, Reflow  
 Operating Temperature: -40°C ~ +85°C  
 Storage Temperature: -40°C ~ +125°C  
 Marking: Inductance and tolerance  
 Moisture resistance: L/L 10% Q/Q 25%  
 Note: All specifications subject to change without  
 notice.

Inductance	Inductance Code	IDC	DCR max.
1200µH	122	0,8A	1,140Ω

**THT Radial Extremely High Current**

Part No.: **S10R38**

Customer:

DRW:	Jason	CHKD	Jules	MATL:	Wu	DATE	12.05.2009
APPD:	Join			FINISH	Shieh	Sheet	1 from 2



**Soldering Profile**

**Classification Reflow Profile (JEDEC J-STD-020C)**



**Ordering Information**

Serie	Inductance	Tolerance	Function	ROHS	Packing
<b>S10R38</b>	<b>122</b>	<b>K</b>	<b>0</b>	<b>R</b>	<b>BU10</b>

<b>122=</b> 1200µH	<b>K=</b> Tol. 10%	<b>0=</b> No function	<b>R=</b> ROHS conform	<b>BU=</b> Bulk Ware
	<b>J=</b> Tol. 5%		<b>N=</b> NON ROHS conform	<b>TY=</b> Tray Package

<b>THT Radial Extremely High Current</b>	
Part No.:	<b>S10R38</b>
Customer:	

DRW:	Jason	CHKD	Jules	MATL:	Wu	DATE	12.05.2009
APPD:	Join			FINISH	Shieh	Sheet	2 from 2

