



### Technical Specification

#### Features

- Wire Wound Construction
- Magnetic Shielded Construction
- Excellent environmental characteristics
- Excellent Mechanical Strength
- Excelent Solderability
- High reliability
- Low DCR Large Curent

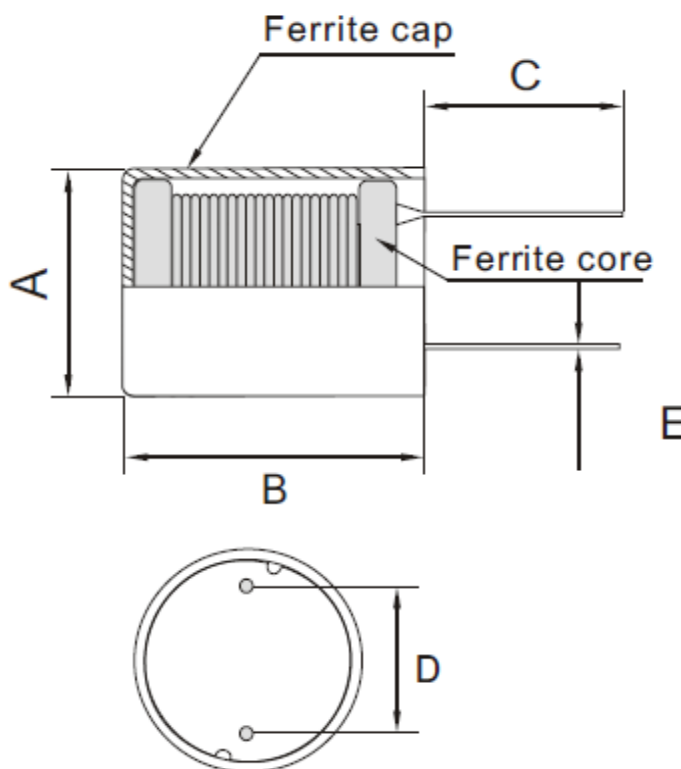
#### Applications

- LCD Television
- Automotive Systems
- Computer / Peripheral Equipment
- GPS, DC/Dc Converter, XDSL Modem
- Electronic Games
- Communications Equipment
- General Electronic Applications
- Network Systems

#### Technical Dimensions

| A (mm) | B (mm) | C (mm) | D (mm)     |
|--------|--------|--------|------------|
| 11,0   | 14,0   | 5,0    | 5,0 +/-0,5 |
| E (mm) |        |        |            |
| 0,70   |        |        |            |

#### Dimensions



### Electrical Characteristics

#### Technical Information

Testing LCR Bridge, measured @ 1KHz 0,1V HP4284A  
 Equivalent acceptacle  
 RDC. QuadTech 1880 Milliohmmeter  
 IDC: Max. Lowers inductance by 10%  
 Operating Temperature: -40°C ~ +105°C  
 Storage Temperature: -40°C ~ +105°C  
 Solder Methods: Vapor Phase, Infrared Reflow  
 Marking: Inductance and tolerance  
 Note: All specifications subject to change without notice.

| Inductance | Inductance Code | IDC    | DCR max. |
|------------|-----------------|--------|----------|
| 3900µH     | 392             | 0,200A | 2,500Ω   |

#### THT Radial Shielded Power Choke

Part No.: **S10R34**

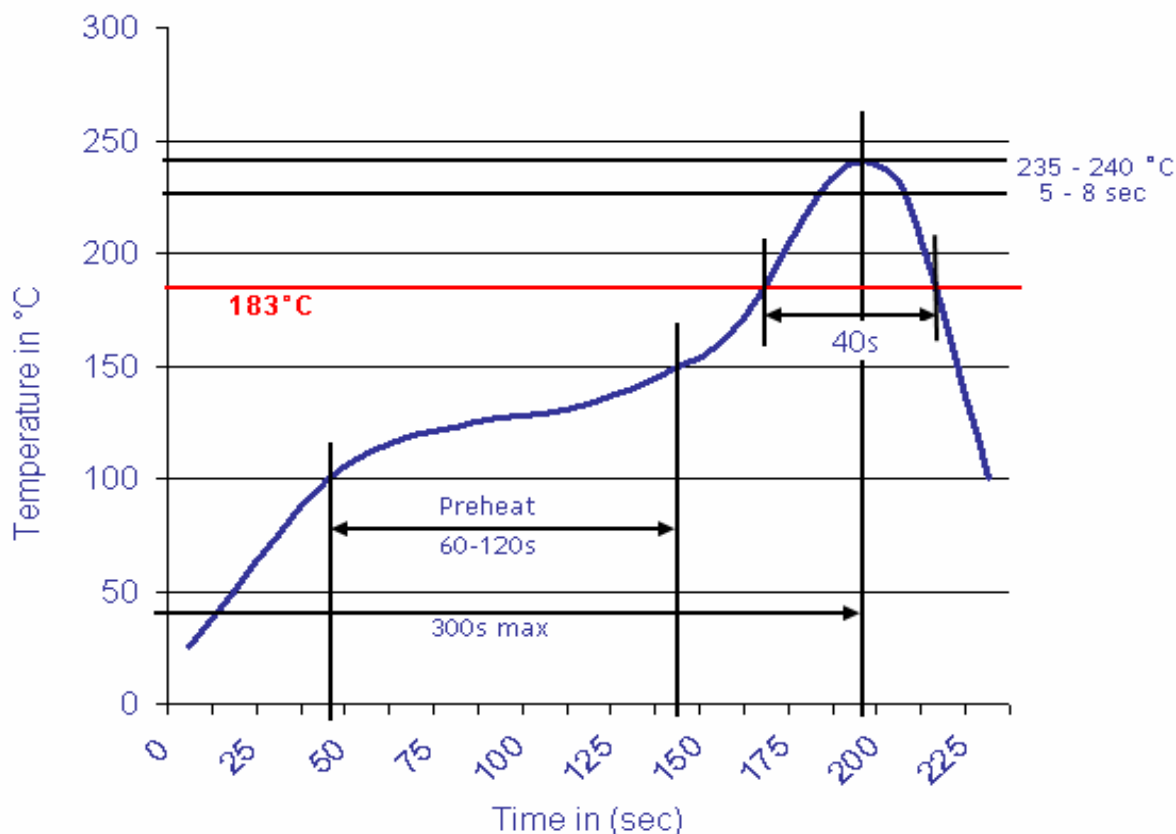
Customer:

|       |       |      |       |        |       |       |            |
|-------|-------|------|-------|--------|-------|-------|------------|
| DRW:  | Jason | CHKD | Jules | MATL:  | Wu    | DATE  | 02.05.2009 |
| APPD: | Join  |      |       | FINISH | Shieh | Sheet | 1 from 2   |



**Soldering Profile**

**Classification Reflow Profile (JEDEC J-STD-020C)**



**Ordering Information**

| Serie         | Inductance | Tolerance | Lead Length | ROHS     | Packing     |
|---------------|------------|-----------|-------------|----------|-------------|
| <b>S10R34</b> | <b>392</b> | <b>K</b>  | <b>50</b>   | <b>R</b> | <b>BU10</b> |

|                    |                    |                |                            |                         |
|--------------------|--------------------|----------------|----------------------------|-------------------------|
| <b>392=</b> 3900µH | <b>K=</b> Tol. 10% | <b>50=</b> 5mm | <b>R=</b> ROHS conform     | <b>BU=</b> Bulk Ware    |
|                    | <b>J=</b> Tol. 5%  |                | <b>N=</b> NON ROHS conform | <b>TY=</b> Tray Package |

|  |               |
|--|---------------|
| <b>THT Radial Shielded Power Choke</b> |               |
| Part No.:                              | <b>S10R34</b> |
| Customer:                              |               |

|       |       |      |       |        |       |       |            |
|-------|-------|------|-------|--------|-------|-------|------------|
| DRW:  | Jason | CHKD | Jules | MATL:  | Wu    | DATE  | 02.05.2009 |
| APPD: | Join  |      |       | FINISH | Shieh | Sheet | 2 from 2   |

