



Technical Specification

Features

- Wire Wound Construction
- Magnetic Shielded Construction
- Excellent environmental characteristics
- Excellent Mechanical Strength
- Excelent Solderability
- High reliability
- Low DCR Large Curent

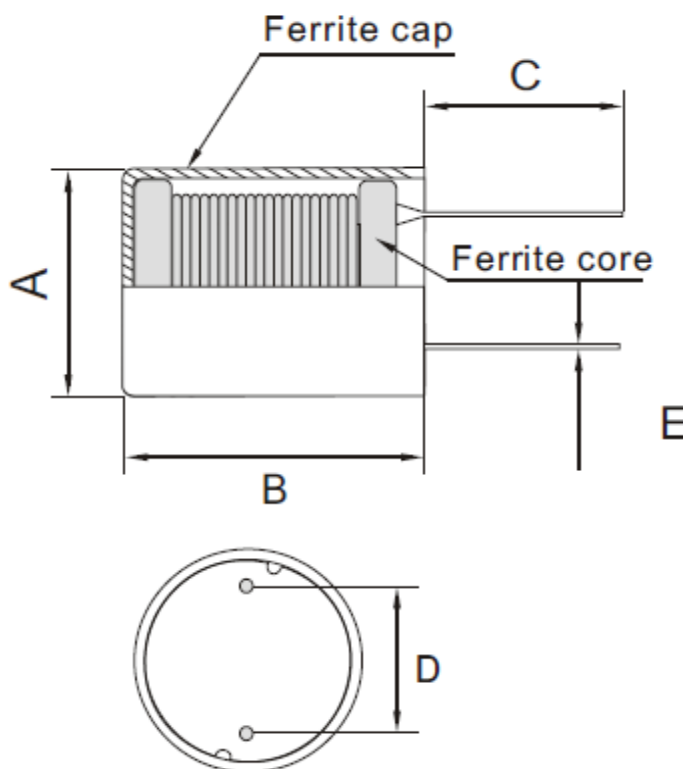
Applications

- LCD Television
- Automotive Systems
- Computer / Peripheral Equipment
- GPS, DC/Dc Converter, XDSL Modem
- Electronic Games
- Communications Equipment
- General Electronic Applications
- Network Systems

Technical Dimensions

| A (mm) | B (mm) | C (mm) | D (mm) |
|--------|--------|--------|------------|
| 11,0 | 14,0 | 5,0 | 5,0 +/-0,5 |
| E (mm) | | | |
| 0,70 | | | |

Dimensions



Electrical Characteristics

Technical Information

Testing LCR Bridge, measured @ 1KHz 0,1V HP4284A
 Equivalent acceptacle
 RDC. QuadTech 1880 Milliohmmer
 IDC: Max. Lowers inductance by 10%
 Operating Temperature: -40°C ~ +105°C
 Storage Temperature: -40°C ~ +105°C
 Solder Methods: Vapor Phase, Infrared Reflow
 Marking: Inductance and tolerance
 Note: All specifications subject to change without notice.

| Inductance | Inductance Code | IDC | DCR max. |
|------------|-----------------|--------|----------|
| 150000μH | 154 | 0,020A | 140,000Ω |

THT Radial Shielded Power Choke

Part No.: **S10R34**
 Customer:

| | | | | | | | |
|-------|-------|------|-------|--------|-------|-------|------------|
| DRW: | Jason | CHKD | Jules | MATL: | Wu | DATE | 02.05.2009 |
| APPD: | Join | | | FINISH | Shieh | Sheet | 1 from 2 |



Soldering Profile

Classification Reflow Profile (JEDEC J-STD-020C)



Ordering Information

| Serie | Inductance | Tolerance | Lead Length | ROHS | Packing |
|---------------|------------|-----------|-------------|----------|-------------|
| S10R34 | 154 | K | 50 | R | BU10 |

| | | | | |
|-------------------------|--------------------|----------------|---------------------------|-------------------------|
| 154= 150000µH | K= Tol. 10% | 50= 5mm | R= ROHS conform | BU= Bulk Ware |
| | J= Tol. 5% | | N=NON ROHS conform | TY= Tray Package |

| | |
|--|---------------|
| THT Radial Shielded Power Choke | |
| Part No.: | S10R34 |
| Customer: | |

| | | | | | | | |
|-------|-------|------|-------|--------|-------|-------|------------|
| DRW: | Jason | CHKD | Jules | MATL: | Wu | DATE | 02.05.2009 |
| APPD: | Join | | | FINISH | Shieh | Sheet | 2 from 2 |

