



### Technical Specification

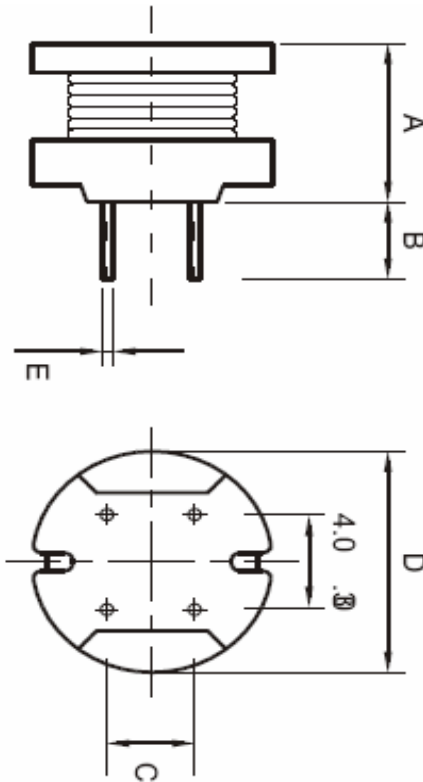
#### Features

- Wire Wound Construction
- Excellent heat resistance
- Excellent environmental characteristics
- High reliability

#### Applications

- Power Supplies
- SCR and TRIAC Controls
- RFI Suppression
- Filters
- Switching Regulators

#### Dimensions



#### Technical Dimensions

| A (mm) | B (mm)     | C (mm)     | D (mm) |
|--------|------------|------------|--------|
| 14,4   | 5,0 +/-1,0 | 5,0 +/-0,3 | 10,5   |
| E (mm) |            |            |        |
| 0,7    |            |            |        |

### Electrical Characteristics

#### Technical Information

Testing LCR Bridge, measured @ 1KHz 0,1V HP4284A  
 Equivalent acceptacle  
 RDC. QuadTech 1880 Milliohmmer  
 IDC: Max. Lowers inductance by 10%  
 Operating Temperature: -55°C ~ +125°C  
 Storage Temperature: -55°C ~ +125°C  
 Solder Methods: Vapor Phase, Infrared Reflow  
 Marking: Inductance and tolerance  
 Note: All specifications subject to change without notice.

| Inductance | Inductance Code | IDC    | DCR max. |
|------------|-----------------|--------|----------|
| 82μH       | 820             | 1,900A | 0,130Ω   |

#### THT Radial Power Choke

Part No.: **S10R22**

Customer:

|       |       |      |       |        |       |       |            |
|-------|-------|------|-------|--------|-------|-------|------------|
| DRW:  | Jason | CHKD | Jules | MATL:  | Wu    | DATE  | 02.05.2009 |
| APPD: | Join  |      |       | FINISH | Shieh | Sheet | 1 from 2   |



**Soldering Profile**

**Classification Reflow Profile (JEDEC J-STD-020C)**



**Ordering Information**

| Serie | Inductance | Tolerance | Lead Length | ROHS | Packing |
|-------|------------|-----------|-------------|------|---------|
|-------|------------|-----------|-------------|------|---------|

|               |            |          |           |          |             |
|---------------|------------|----------|-----------|----------|-------------|
| <b>S10R22</b> | <b>820</b> | <b>M</b> | <b>50</b> | <b>R</b> | <b>BU10</b> |
|---------------|------------|----------|-----------|----------|-------------|

|                  |                    |                 |                            |                         |
|------------------|--------------------|-----------------|----------------------------|-------------------------|
| <b>820=</b> 82µH | <b>M=</b> Tol. 20% | <b>50=</b> 5mm  | <b>R=</b> ROHS conform     | <b>BU=</b> Bulk Ware    |
|                  | <b>K=</b> Tol. 10% | <b>15=</b> 15mm | <b>N=</b> NON ROHS conform | <b>TY=</b> Tray Package |

|                               |               |
|-------------------------------|---------------|
| <b>THT Radial Power Choke</b> |               |
| Part No.:                     | <b>S10R22</b> |
| Customer:                     |               |

|       |       |      |       |        |       |       |            |
|-------|-------|------|-------|--------|-------|-------|------------|
| DRW:  | Jason | CHKD | Jules | MATL:  | Wu    | DATE  | 02.05.2009 |
| APPD: | Join  |      |       | FINISH | Shieh | Sheet | 2 from 2   |

