



### Technical Specification

#### Features

- Wire Wound Construction
- Excellent heat resistance
- Excellent environmental characteristics
- High reliability

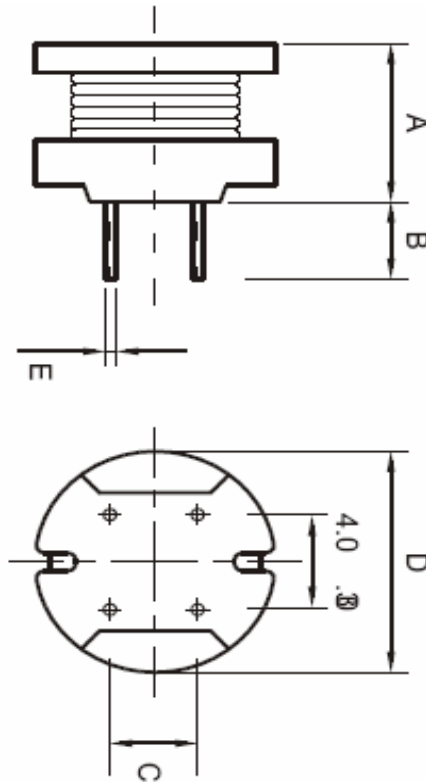
#### Applications

- Power Supplies
- SCR and TRIAC Controls
- RFI Suppression
- Filters
- Switching Regulators

#### Technical Dimensions

| A (mm) | B (mm)     | C (mm)     | D (mm) |
|--------|------------|------------|--------|
| 6,5    | 3,5 +/-1,0 | 5,0 +/-0,3 | 10,5   |
| E (mm) |            |            |        |
| 0,7    |            |            |        |

#### Dimensions



### Electrical Characteristics

#### Technical Information

Testing LCR Bridge, measured @ 1KHz 0,1V HP4284A  
 Equivalent acceptacle  
 RDC. QuadTech 1880 Milliohmeter  
 IDC: Max. Lowers inductance by 10%  
 Operating Temperature: -55°C ~ +125°C  
 Storage Temperature: -55°C ~ +125°C  
 Solder Methods: Vapor Phase, Infrared Reflow  
 Shrink tube: Flame retardent UL type VW-1  
 Marking: Inductance and tolerance  
 Note: All specifications subject to change without notice.

| Inductance | Inductance Code | IDC    | DCR max. |
|------------|-----------------|--------|----------|
| 330µH      | 331             | 0,620A | 1,100Ω   |

#### THT Radial Power Choke

Part No.: **S10R19**

Customer:

|       |       |      |       |        |       |       |            |
|-------|-------|------|-------|--------|-------|-------|------------|
| DRW:  | Jason | CHKD | Jules | MATL:  | Wu    | DATE  | 24.04.2009 |
| APPD: | Join  |      |       | FINISH | Shieh | Sheet | 1 from 2   |

Copyright by EDCON-COMPONENTS H.Schmitt 20.6.2008



**Soldering Profile**

**Classification Reflow Profile (JEDEC J-STD-020C)**



**Ordering Information**

| Serie         | Inductance | Tolerance | Lead Length | ROHS     | Packing     |
|---------------|------------|-----------|-------------|----------|-------------|
| <b>S10R19</b> | <b>331</b> | <b>M</b>  | <b>50</b>   | <b>R</b> | <b>BU10</b> |

|                   |                    |                 |                           |                         |
|-------------------|--------------------|-----------------|---------------------------|-------------------------|
| <b>331= 330µH</b> | <b>M= Tol. 20%</b> | <b>50= 5mm</b>  | <b>R= ROHS conform</b>    | <b>BU= Bulk Ware</b>    |
|                   | <b>K= Tol. 10%</b> | <b>15= 15mm</b> | <b>N=NON ROHS conform</b> | <b>TY= Tray Package</b> |

|                               |               |
|-------------------------------|---------------|
| <b>THT Radial Power Choke</b> |               |
| Part No.:                     | <b>S10R19</b> |
| Customer:                     |               |

|       |       |      |       |        |       |       |            |
|-------|-------|------|-------|--------|-------|-------|------------|
| DRW:  | Jason | CHKD | Jules | MATL:  | Wu    | DATE  | 24.04.2009 |
| APPD: | Join  |      |       | FINISH | Shieh | Sheet | 2 from 2   |

