



**Technical Specification**

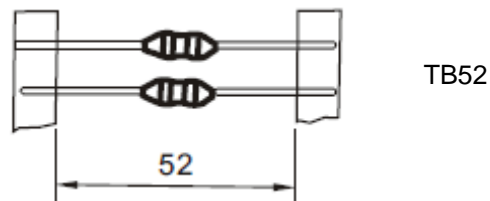
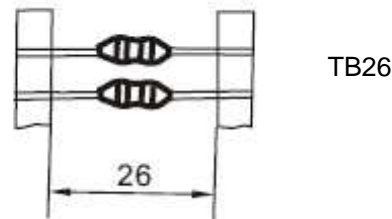
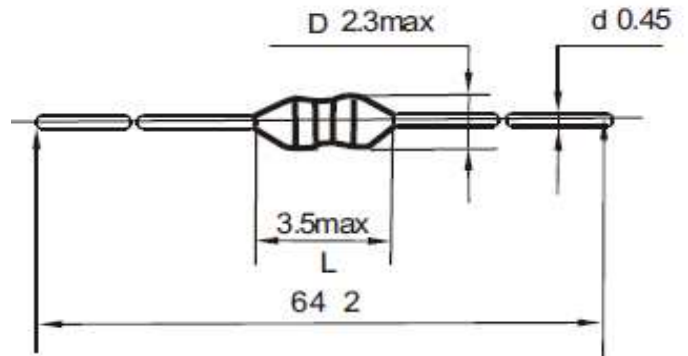
**Features**

- Magnetic Core
- Wire Wound construction
- Heat Resistant epoxy molded resin
- High reliability Ideal for automatic insertion
- Small Size
- Tolerance 10% is standard tighter tolerance available

**Applications**

- VCRs, PDP LCD, TV set
- Automotive Systms
- Computer Peripheral Equipment
- GPS, DC/DC Converter,
- XDSL Modem
- Electronic Games
- Mobile Communikations Equipment
- General Electronic Applications

**Dimensions**



**Electrical Characteristics**

**Technical Information**

Inductance Testing: HP4284A, HP 4285A equivalent  
 RDC: Quad Tech 1880 Milliohm meter  
 Q-HP4342A  
 SRF-HP4191A or HP4194A  
 Rated Current L value drop 10% typ.at Idc against ist initial value.  
 Temperature rise: 40 Max. Reference ambient temper.  
 Solderability: 75° of the lead wire shall be covered  
 SolderingMethods: Wave ; Reflow  
 Operating Temperature: -25°C ~ +85°C  
 Storage Temperature: -55°C ~ +105°C  
 Terminal bending strength: 24,5N min.  
 Moisture resistance: L/L 10% Q/Q 25%

| Inductance | Inductance Code | IDC    | DCR max. |
|------------|-----------------|--------|----------|
| 33μH       | 330             | 0,076A | 4,700Ω   |

|  | Q min. | L-Test Freq. | SRF   |
|--|--------|--------------|-------|
|  | 40     | 25,2MHz      | 14MHz |

**THT AXIAL Standard Coated Inductors**

Part No.: **S10A13**

Customer:

|       |       |      |     |        |      |       |            |
|-------|-------|------|-----|--------|------|-------|------------|
| DRW:  | James | CHKD | Jim | MATL:  | Wim  | DATE  | 06.08.2008 |
| APPD: | Sarah |      |     | FINISH | Jeff | Sheet | 1 from 2   |



**Soldering Profile**

**Classification Reflow Profile (JEDEC J-STD-020C)**



**Ordering Information**

| Serie         | Inductance | Tolerance | Function | ROHS     | Packing     |
|---------------|------------|-----------|----------|----------|-------------|
| <b>S10A13</b> | <b>330</b> | <b>K</b>  | <b>N</b> | <b>R</b> | <b>TB52</b> |

|                  |                    |                       |                           |                               |
|------------------|--------------------|-----------------------|---------------------------|-------------------------------|
| <b>330=</b> 33µH | <b>K=</b> Tol. 10% | <b>N=</b> No function | <b>R=</b> ROHS conform    | <b>BU=</b> Bulk Ware          |
|                  | <b>J=</b> Tol. 5%  |                       | <b>N=NON</b> ROHS conform | <b>TB26=</b> Tape Box Package |
|                  |                    |                       |                           | <b>TB52=</b> Tape Box Package |

**THT AXIAL Standard Coated Inductors**

Part No.: **S10A13**

Customer:

|       |       |      |     |        |      |       |            |
|-------|-------|------|-----|--------|------|-------|------------|
| DRW:  | James | CHKD | Jim | MATL:  | Wim  | DATE  | 06.08.2008 |
| APPD: | Sarah |      |     | FINISH | Jeff | Sheet | 2 from 2   |

