



**Technical Specification**

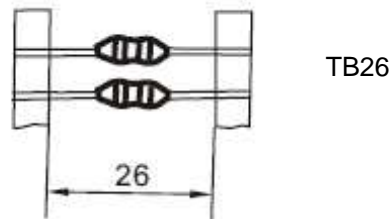
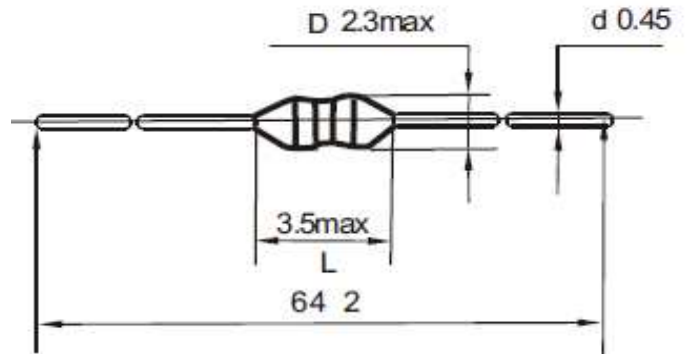
**Features**

- Magnetic Core
- Wire Wound construction
- Heat Resistant epoxy molded resin
- High reliability Ideal for automatic insertion
- Small Size
- Tolerance 10% is standard tighter tolerance available

**Applications**

- VCRs, PDP LCD, TV set
- Automotive Systms
- Computer Peripheral Equipment
- GPS, DC/DC Converter,
- XDSL Modem
- Electronic Games
- Mobile Communikations Equipment
- General Electronic Applications

**Dimensions**



**Electrical Characteristics**

**Technical Information**

Inductance Testing: HP4284A, HP 4285A equivalent  
 RDC: Quad Tech 1880 Milliohmeter  
 Q-HP4342A  
 SRF-HP4191A or HP4194A  
 Rated Current L value drop 10% typ.at Idc against ist initial value.  
 Temperature rise: 40 Max. Reference ambient temper.  
 Solderability: 75° of the lead wire shall be covered  
 SolderingMethods: Wave ; Reflow  
 Operating Temperature: -25°C ~ +85°C  
 Storage Temperature: -55°C ~ +105°C  
 Terminal bending strength: 24,5N min.  
 Moisture resistance: L/L 10% Q/Q 25%

| Inductance | Inductance Code | IDC    | DCR max. |
|------------|-----------------|--------|----------|
| 120µH      | 121             | 0,042A | 13,000Ω  |

|  | Q min. | L-Test Freq. | SRF    |
|--|--------|--------------|--------|
|  | 40     | 0,796MHz     | 8,0MHz |

**THT AXIAL Standard Coated Inductors**

Part No.: **S10A13**

Customer:

|       |       |      |     |        |      |       |            |
|-------|-------|------|-----|--------|------|-------|------------|
| DRW:  | James | CHKD | Jim | MATL:  | Wim  | DATE  | 06.08.2008 |
| APPD: | Sarah |      |     | FINISH | Jeff | Sheet | 1 from 2   |



**Soldering Profile**

**Classification Reflow Profile (JEDEC J-STD-020C)**



**Ordering Information**

| Serie | Inductance | Tolerance | Function | ROHS | Packing |
|-------|------------|-----------|----------|------|---------|
|-------|------------|-----------|----------|------|---------|

|               |            |          |          |          |             |
|---------------|------------|----------|----------|----------|-------------|
| <b>S10A13</b> | <b>121</b> | <b>K</b> | <b>N</b> | <b>R</b> | <b>TB52</b> |
|---------------|------------|----------|----------|----------|-------------|

|            |             |                |                    |                        |
|------------|-------------|----------------|--------------------|------------------------|
| 121= 120µH | K= Tol. 10% | N= No function | R= ROHS conform    | BU= Bulk Ware          |
|            | J= Tol. 5%  |                | N=NON ROHS conform | TB26= Tape Box Package |
|            |             |                |                    | TB52= Tape Box Package |

**THT AXIAL Standard Coated Inductors**

Part No.: **S10A13**

Customer:

|       |       |      |     |        |      |       |            |
|-------|-------|------|-----|--------|------|-------|------------|
| DRW:  | James | CHKD | Jim | MATL:  | Wim  | DATE  | 06.08.2008 |
| APPD: | Sarah |      |     | FINISH | Jeff | Sheet | 2 from 2   |

