

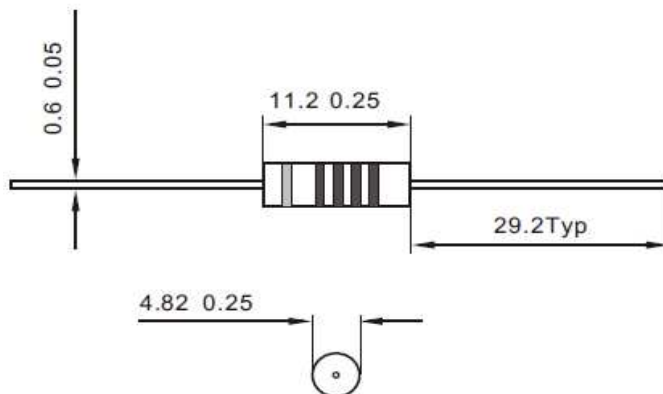


**Technical Specification**

**Features**

- Ferrite Core
- Wire Wound construction
- Heat Resistant epoxy molded resin
- High reliability Ideal for automatic insertion
- Small Size
- Tolerance 10% is standard tighter tolerance available

**Dimensions**



**Applications**

- VCRs, PDP LCD, TV set
- Automotive Systms
- Computer Peripheral Equipment
- GPS, DC/DC Converter,
- XDSL Modem
- Electronic Games
- Mobile Communikations Equipment
- General Electronic Applications



**Electrical Characteristics**

**Technical Information**

Inductance Testing: HP4284A, HP 4285A equivalent  
 RDC: Quad Tech 1880 Milliohm meter  
 Q-HP4342A  
 SRF-HP4191A or HP4194A  
 Rated Current L value drop 10% typ.at Idc against ist initial value.  
 Temperature rise: 40 Max. Reference ambient temper.  
 Solderability: 75° of the lead wire shall be covered  
 SolderingMethods: Wave ; Reflow  
 Operating Temperature: -25°C ~ +85°C  
 Storage Temperature: -55°C ~ +105°C  
 Terminal bending strength: 24,5N min.  
 Moisture resistance: L/L 10% Q/Q 25%

| Inductance | Inductance Code | IDC    | DCR max. |
|------------|-----------------|--------|----------|
| 27µH       | 270             | 0,205A | 2,800Ω   |

|  | Q min. | L-Test Freq. | SRF   |
|--|--------|--------------|-------|
|  | 55     | 2,5MHz       | 22MHz |

**THT AXIAL MOLDED Choke**

Part No.: **S10A04**

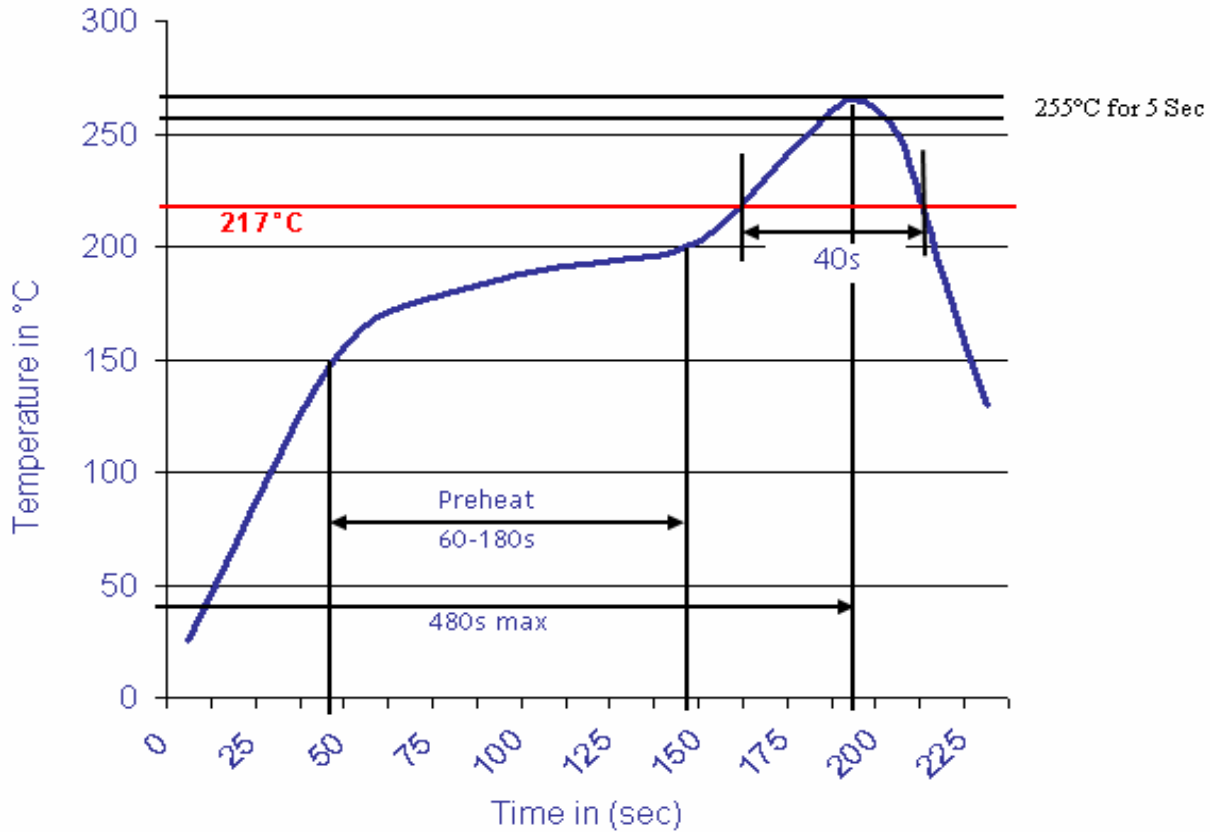
Customer:

|       |       |      |     |        |      |       |            |
|-------|-------|------|-----|--------|------|-------|------------|
| DRW:  | James | CHKD | Jim | MATL:  | Wim  | DATE  | 05.07.2007 |
| APPD: | Sarah |      |     | FINISH | Jeff | Sheet | 1 from 2   |



**Soldering Profile**

**Classification Reflow Profile (JEDEC J-STD-020C)**



**Ordering Information**

| Serie | Inductance | Tolerance | Function | ROHS | Packing |
|-------|------------|-----------|----------|------|---------|
|-------|------------|-----------|----------|------|---------|

|               |            |          |          |          |           |
|---------------|------------|----------|----------|----------|-----------|
| <b>S10A04</b> | <b>270</b> | <b>K</b> | <b>N</b> | <b>R</b> | <b>TR</b> |
|---------------|------------|----------|----------|----------|-----------|

|           |             |                |                    |                       |
|-----------|-------------|----------------|--------------------|-----------------------|
| 270= 27µH | K= Tol. 10% | N= No function | R= ROHS conform    | BU= Bulk Ware         |
|           | J= Tol. 5%  |                | N=NON ROHS conform | TR= Tape Reel Package |

|                               |               |
|-------------------------------|---------------|
| <b>THT AXIAL MOLDED Choke</b> |               |
| Part No.:                     | <b>S10A04</b> |
| Customer:                     |               |

|       |       |      |     |        |      |       |            |
|-------|-------|------|-----|--------|------|-------|------------|
| DRW:  | James | CHKD | Jim | MATL:  | Wim  | DATE  | 05.07.2007 |
| APPD: | Sarah |      |     | FINISH | Jeff | Sheet | 2 from 2   |

