



Features

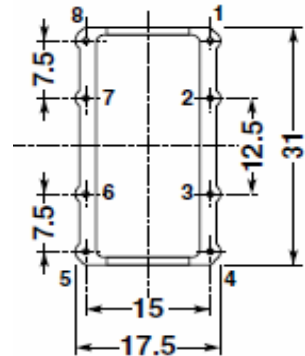
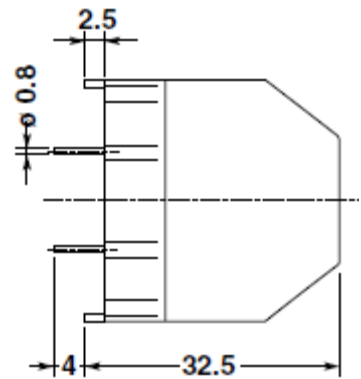
These Chokes are fitting with high-permeability toroid core (ferrite).
They are mainly used in devices equipped with switched-mode power supplies, and in filters designed to prevent both the spread of parasitic noise within the device, and the effects of line noise on the device itself.

Technical Specification

Technical Data:

| | |
|---|---|
| Rated Current: | referred to 250VAC 50/60Hz and 60°C ambient temperature |
| Rated Inductance: | at +20°C and 10kHz, 0,1mA. |
| Inductance tolerance: | .+ 50 -30% |
| Inductance loss: | <10% at DC initial loading with I _R |
| Testing Voltage: | 1500V -50Hz, 2 sec, winding to winding |
| Climatic category: | DIN GKC (-40°C to +125°C; humidity cat.C). |
| DC resistance: | at +20°C |
| Derating operating current: | at +120°C ambient temperature I=0 |
| Overtemperature of windings: | < 55°C |
| Max. permissible temperature of windings: | 115°C% |
| Weight: | 28gr. |

Dimensions (vertical mounting)



○ Pins

● Start of winding

Standard Version

The case are of flame-retardent plastic material in accordance with UL 94V-0
The choke are tested in accordance with EN 138100; EN60938-1

| Rated current per winding (A) | Rated inductance per winding (mH) | DC resistance per winding (typical) mΩ |
|-------------------------------|-----------------------------------|--|
| 1,5 | 22,0 | 330 |

Potted Current Compensated Chokes

Part No.: **F12048**

Customer:

| | | | | | | | |
|-------|-------|------|-------|--------|-------|-------|------------|
| DRW: | Jason | CHKD | Jules | MATL: | Wu | DATE | 04.07.2009 |
| APPD: | Join | | | FINISH | Shieh | Sheet | 1 from 2 |

Copyright by EDCON-COMPONENTS H.Schmitt 20.6.2008



Soldering Profile

Soldering Profile for Lead Soldering



Ordering Information

| | | | | | | |
|-------|-----------|------|---------|--|--|--|
| Serie | Tolerance | ROHS | Packing | | | |
|-------|-----------|------|---------|--|--|--|

| | | | | | | |
|---------------|------|----------|----------|-----------|--|--|
| F12048 | ---- | O | R | TY | | |
|---------------|------|----------|----------|-----------|--|--|

| | | |
|--|---|-----------------------------|
| O = Tolerance +50% ~ -30% | R = ROHS conform N =NON ROHS conform | TY = Tray Packing |
|--|---|-----------------------------|

| | |
|--|---------------|
| Potted Current Compensated Chokes | |
| Part No.: | F12048 |
| Customer: | |

| | | | | | | | |
|-------|-------|------|-------|--------|-------|-------|------------|
| DRW: | Jason | CHKD | Jules | MATL: | Wu | DATE | 04.07.2009 |
| APPD: | Join | | | FINISH | Shieh | Sheet | 2 from 2 |