



### Features

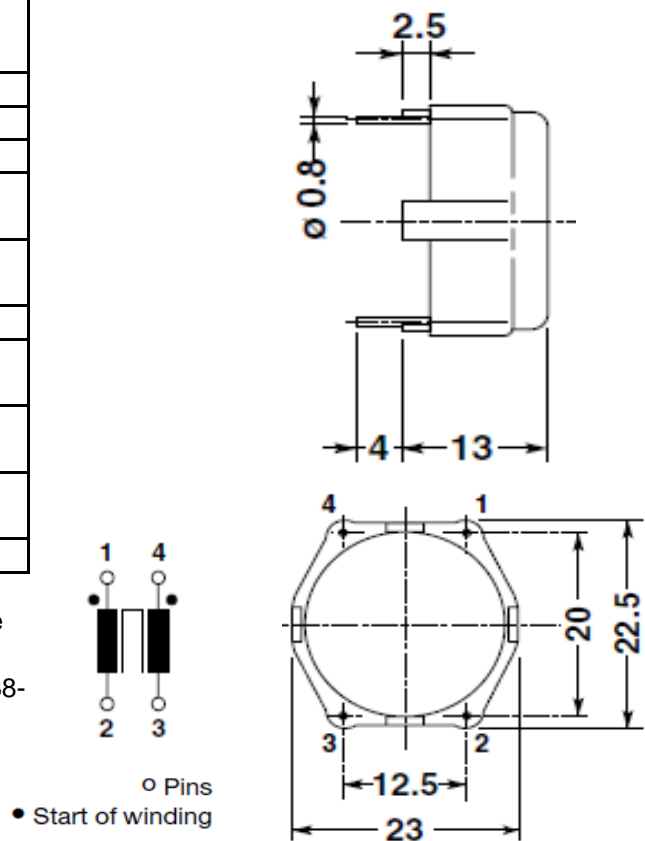
These Chokes are fitting with high-permeability toroid core ( ferrite). They are mainly used in devices equipped with switched-mode power supplies, and in filters designed to prevent both the spread of parasitic noise within the device, and the effects of line noise on the device itself.

### Technical Specification

#### Technical Data:

|   |   |
|---|---|
| Rated Current:                            | referred to 250VAC 50/60Hz and 60°C ambient temperature |
| Rated Inductance:                         | at +20°C and 10kHz, 0,1mA.                              |
| Inductance tolerance:                     | .+ 50 -30%  |
| Inductance loss:                          | <10% at DC initial loading with I <sub>R</sub>          |
| Testing Voltage:                          | 1500V -50Hz, 2 sec, winding to winding                  |
| Climatic category:                        | DIN GKC ( -40°C to +125°C; humidity cat.C).             |
| DC resistance:                            | at +20°C  |
| Derating operating current:               | at +120°C ambient temperature I=0                       |
| Overtemperature of windings:              | < 55°C  |
| Max. permissible temperature of windings: | 115°C%  |
| Weight:                                   | 12gr.   |

#### Dimensions ( horizontal mounting )



The case are of flame-retardent plastic material in accordance with UL 94V-0  
The choke are tested in accordance with EN 138100; EN60938-1

| Rated current per winding (A) | Rated inductance per winding (mH) | DC resistance per winding (typical) mΩ |
|-------------------------------|-----------------------------------|--|
| 1,0                           | 15,0                              | 540                                    |

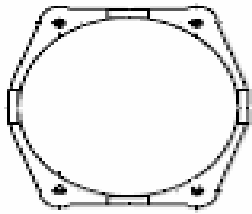
### Potted Current Compensated Chokes

Part No.: **F11031**

Customer:

|       |       |      |       |        |       |       |            |
|-------|-------|------|-------|--------|-------|-------|------------|
| DRW:  | Jason | CHKD | Jules | MATL:  | Wu    | DATE  | 04.07.2009 |
| APPD: | Join  |      |       | FINISH | Shieh | Sheet | 1 from 2   |

Copyright by EDCON-COMPONENTS H.Schmitt 20.6.2008



**Soldering Profile**

**Soldering Profile for Lead Soldering**



**Ordering Information**

|       |           |      |         |  |  |  |
|-------|-----------|------|---------|--|--|--|
| Serie | Tolerance | ROHS | Packing |  |  |  |
|-------|-----------|------|---------|--|--|--|

|               |      |          |          |           |  |  |
|---------------|------|----------|----------|-----------|--|--|
| <b>F11031</b> | ---- | <b>O</b> | <b>R</b> | <b>TY</b> |  |  |
|---------------|------|----------|----------|-----------|--|--|

|                                       |  |                            |
|---------------------------------------|--|----------------------------|
| <b>O=</b><br>Tolerance<br>+50% ~ -30% | <b>R=</b> ROHS<br>conform<br><b>N=</b> NON ROHS<br>conform | <b>TY=</b> Tray<br>Packing |
|---------------------------------------|--|----------------------------|

|  |               |
|--|---------------|
| <b>Potted Current<br/>Compensated Chokes</b> |               |
| Part No.:                                    | <b>F11031</b> |
| Customer:                                    |               |

|       |       |      |       |        |       |       |            |
|-------|-------|------|-------|--------|-------|-------|------------|
| DRW:  | Jason | CHKD | Jules | MATL:  | Wu    | DATE  | 04.07.2009 |
| APPD: | Join  |      |       | FINISH | Shieh | Sheet | 2 from 2   |