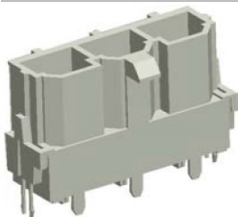


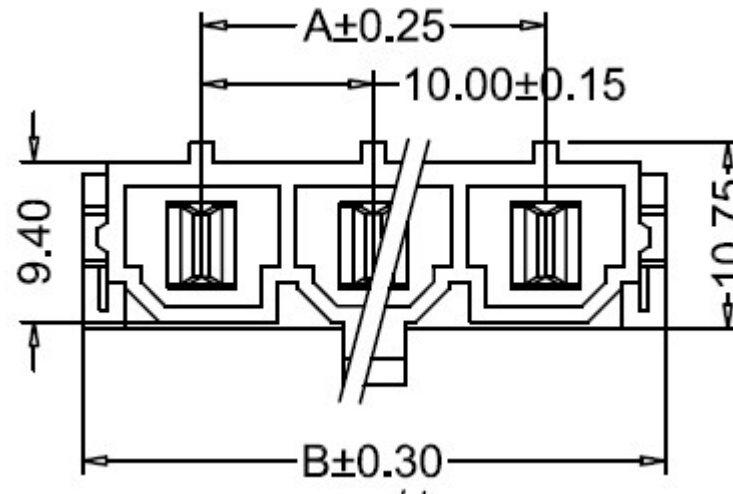
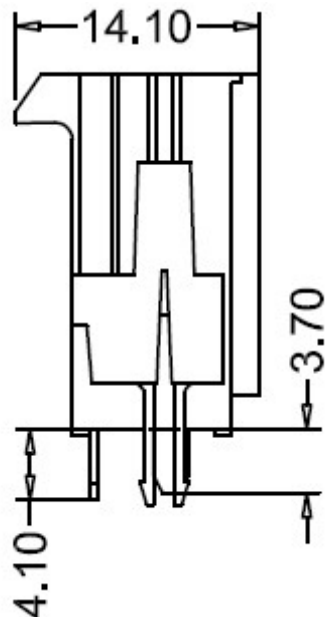
EDCON-COMPONENTS



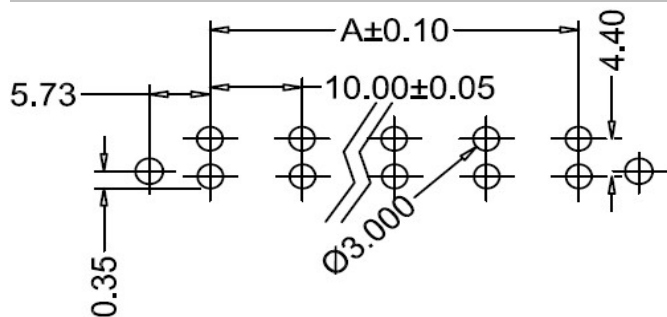
Technical Description

Curent Rating:	48A
Voltage Rating:	600V
Contact Resistance:	20mΩ max.
Withstanding Voltage:	1000VAC/minute
Insulator Material:	PBT UL94V-0
Operating Temperature:	.-40°C to + 130°C
Standard Body Colour:	Black
Contact Material:	Copper
Contact Plating:	TIN-Plated
No Pin available:	2 ~ 6 circuits

Drawing



PCB Layout (mm)



**Wire to Board Connector
(Wafer) Straight Pin Pitch
10,0mm**

Part No.: **T68U001**

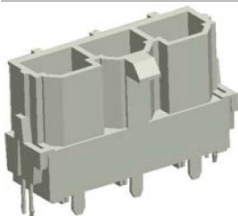
Customer:

DRW:	Jason	CHKD	Wilson	MATL:	Wilson	TOLERANCE	Mason	DATE	22.03.2018
APPD:	Schumi			FINISH	Jamy			Sheet No.	1 from 4

www.edcon-components.com

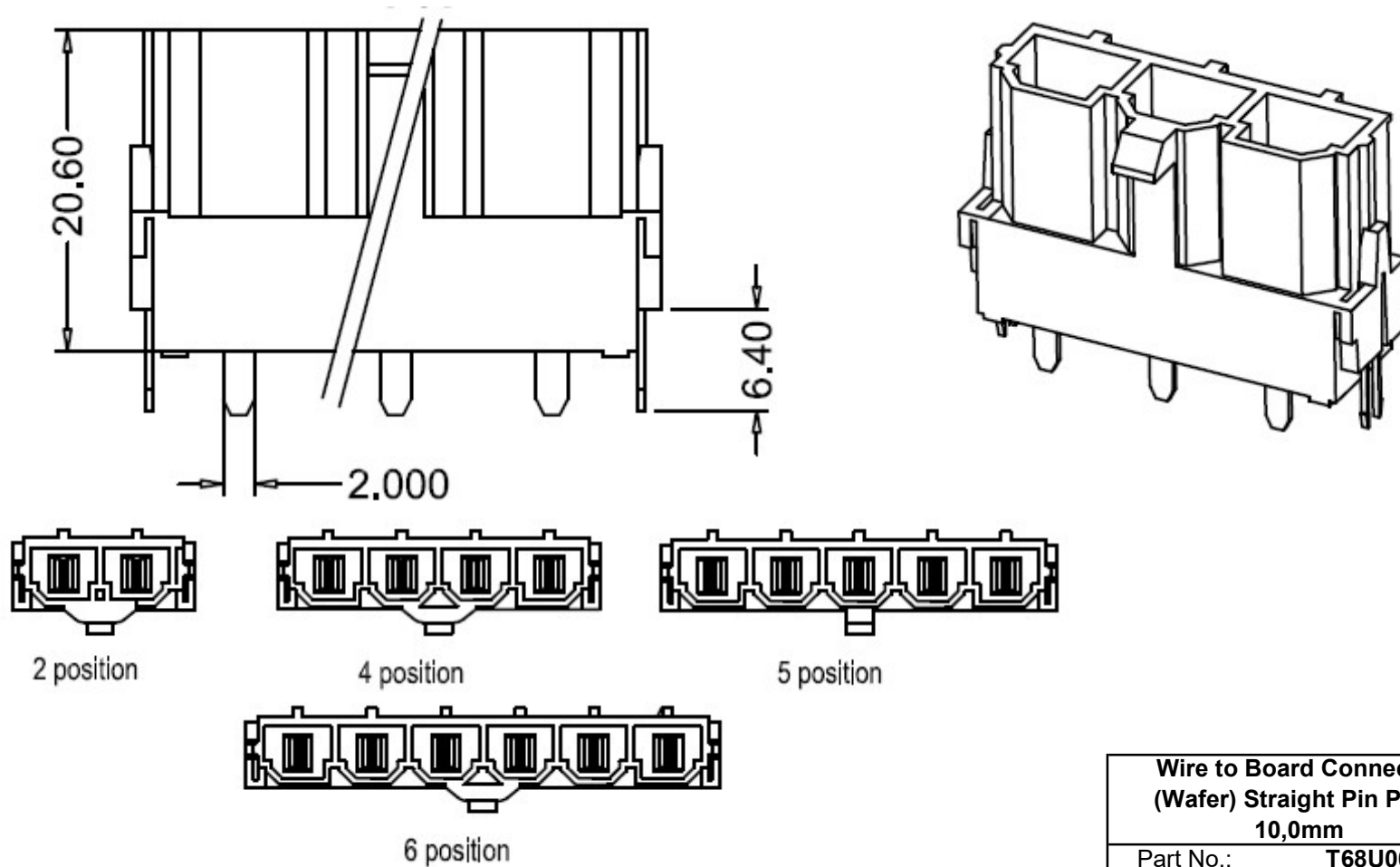
email: info@edcon-components.com

EDCON-COMPONENTS



Dimension (mm)

No Pin	A	B	C	D
2	10,00	23,88		
3	20,00	33,88		
4	30,00	40,88		
5	40,00	50,88		
6	50,00	60,88		

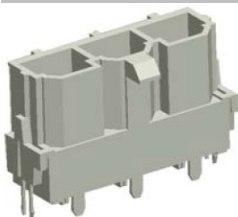


**Wire to Board Connector
(Wafer) Straight Pin Pitch
10,0mm**
 Part No.: **T68U001**
 Customer:

DRW:	Jason	CHKD	Wilson	MATL:	Wilson	TOLERANCE	Mason	DATE	22.03.2018
APPD:	Schumi			FINISH	Jamy		Sheet No.		2 from 4

email: info@edcon-components.com

EDCON-COMPONENTS



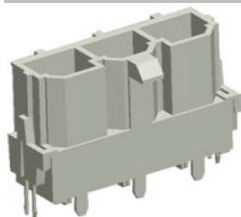
Ordering Informations

Serie	No. Of Position	Contact Plating	Contact Material	Color of Body	Special Function	Special Function	ROHS	Packing		
T68U001	02	TN	CO	BK	N	N	R	BU		

02= 2Pos.	TN= tinned			N= No Function	N= No Function	R= ROHS Conform	BU= Bulk-Ware
2 ~ 6Pos.			BK= Black			N= NON ROHS Conform	TU= Tube Packing
		CO= Copper					TC= Tube w. Cap Packing
							TR= Tape/Reel Packing w. Cap w. needed
							IV= Individual Packing

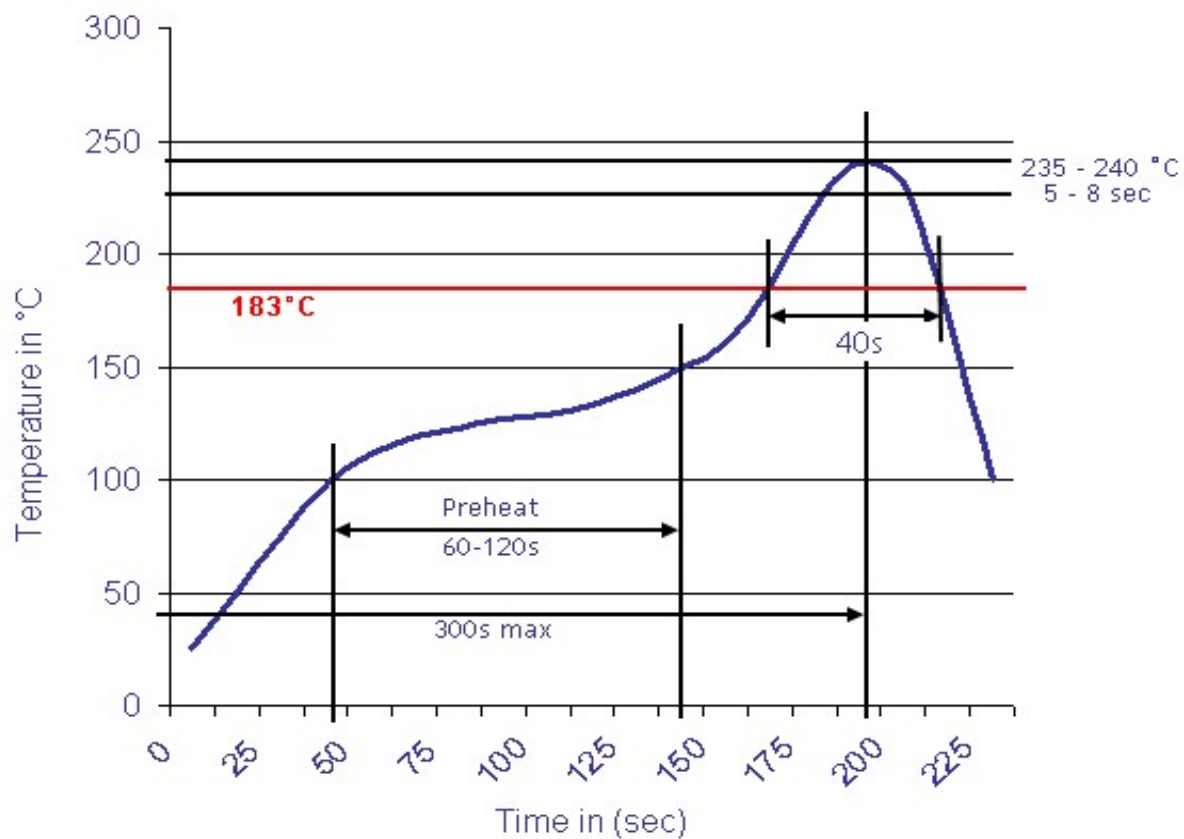
Wire to Board Connector (Wafer) Straight Pin Pitch 10,0mm	
Part No.:	T68U001
Customer:	

DRW:	Jason	CHKD	Wilson	MATL:	Wilson	TOLERANCE	Mason	DATE	22.03.2018
APPD:	Schumi			FINISH	Jamy		Sheet No.		3 from 4



Soldering Profile Curve

Classification Reflow Profile (JEDEC J-STD-020C)



Wire to Board Connector (Wafer) Straight Pin Pitch 10,0mm	
Part No.:	T68U001
Customer:	

DRW:	Jason	CHKD	Wilson	MATL:	Wilson	TOLERANCE	Mason	DATE	22.03.2018
APPD:	Schumi			FINISH	Jamy		Sheet No.		4 from 4