

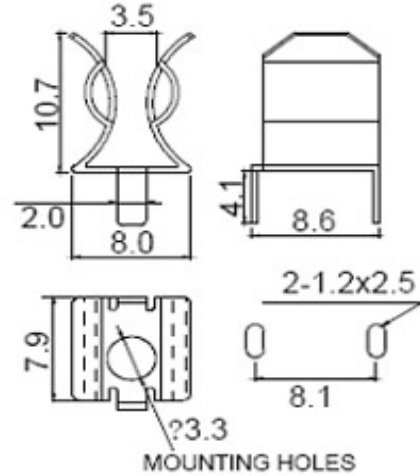


for Fuse Dimension 6,3x32mm

Technical Specification

Mounting : 8,1mm Spacing
 Material: Spring Brass
 Rated Voltage: 250V
 Rated Current: Max. 10A
 Unit Weight: 0,83gr.
 Packing: Bulk 500PCS
 Thickness: 0,50mm thickness

Technical Drawing



Ordering Information

Serie	Thickness	ROHS	Packing			
R53025	NI50	R	B1			

NI50 = 0,50mm thickness Ni plated	R = ROHS Conform	B1 = 1000PCS in Poly Bag
	N = NON ROHS Conform	

PCB FUSE CLIP	
Part No.:	R53025
Customer:	

DRW:	Jason	CHKD	Jules	MATL:	Wu	DATE	06.06.2009
APPD:	Join			FINISH	Shieh	Sheet	1 from 1