

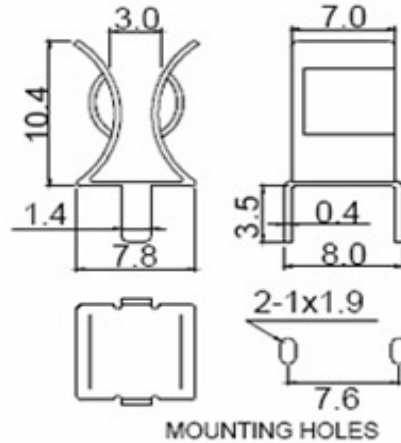


for Fuse Dimension 6,3x32mm

Technical Specification

Mounting : 7,6mm Spacing
 Material: Spring Brass
 Rated Voltage: 250V
 Rated Current: Max. 10A
 Unit Weight: 0,68gr.
 Packing: Bulk 500PCS
 Thickness: look order code

Technical Drawing



Ordering Information

| Serie | Thickness | ROHS | Packing | | | |
|---------------|-------------|----------|-----------|--|--|--|
| R53024 | NI40 | R | B1 | | | |

| | | |
|--|-----------------------------|---------------------------------|
| NI40 = 0,40mm thickness Ni plated | R = ROHS Conform | B1 = 1000PCS in Poly Bag |
| | N = NON ROHS Conform | |
| NI50 = 0,50mm thickness Ni plated | | |

| | |
|----------------------|---------------|
| PCB FUSE CLIP | |
| Part No.: | R53024 |
| Customer: | |

| | | | | | | | |
|-------|-------|------|-------|--------|-------|-------|------------|
| DRW: | Jason | CHKD | Jules | MATL: | Wu | DATE | 06.06.2009 |
| APPD: | Join | | | FINISH | Shieh | Sheet | 1 from 1 |