

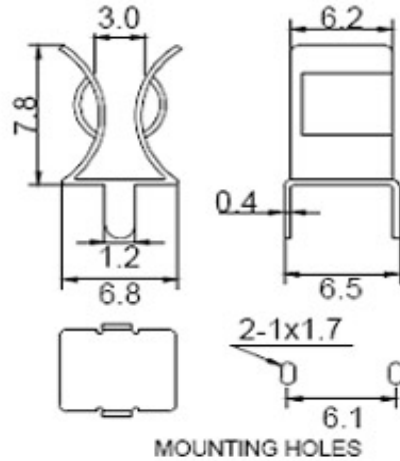


**for Fuse Dimension 5,0x20mm**

**Technical Specification**

Mounting : 6,1mm Spacing  
 Material: Phosphor Bronze  
 Rated Voltage: 250V  
 Rated Current: Max. 6,3A  
 Unit Weight: 0,45gr.  
 Packing: Bulk 1000PCS  
 Thickness: 0,40mm thickness

**Technical Drawing**



**Ordering Information**

Serie	Thickness	ROHS	Packing			
<b>R53022</b>	<b>SN40</b>	<b>R</b>	<b>B1</b>			

<b>SN40=</b> 0,40mm thickness Sn plated	<b>R=</b> ROHS Conform	<b>B1 =</b> 1000PCS in Poly Bag
	<b>N=</b> NON ROHS Conform	

<b>PCB FUSE CLIP</b>	
Part No.:	<b>R53022</b>
Customer:	

DRW:	Jason	CHKD	Jules	MATL:	Wu	DATE	06.06.2009
APPD:	Join			FINISH	Shieh	Sheet	1 from 1