

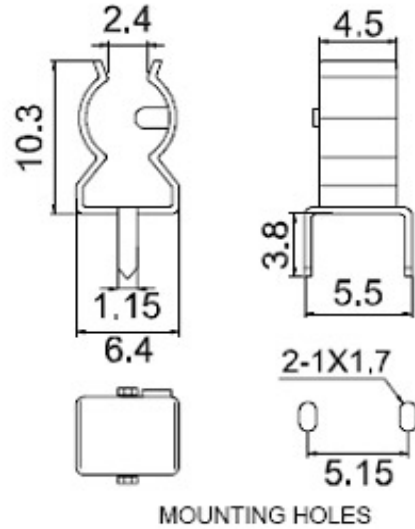


for Fuse Dimension 5,0x20mm

Technical Specification

Mounting : 5,15mm Spacing
 Material: Phosphor Bronze
 Rated Voltage: 250V
 Rated Current: Max. 6,3A
 Unit Weight: 0,45gr.
 Packing: Bulk 1000PCS
 Thickness: 0,40mm

Technical Drawing



Ordering Information

Serie	Thickness	ROHS	Packing			
R53015	NI40	R	B1			

NI40 = 0,40mm thickness Ni plated	R = ROHS Conform	B1 = 1000PCS in Poly Bag
	N = NON ROHS Conform	

PCB FUSE CLIP	
Part No.:	R53015
Customer:	

DRW:	Jason	CHKD	Jules	MATL:	Wu	DATE	06.06.2009
APPD:	Join			FINISH	Shieh	Sheet	1 from 1