

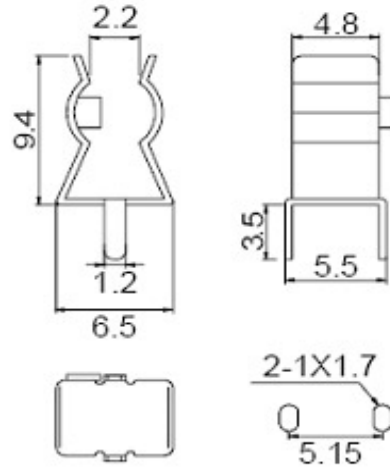


for Fuse Dimension 5,0x20mm

Technical Specification

Mounting : 5,15mm Spacing
 Material: Spring brass
 Rated Voltage: 250V
 Rated Current: Max. 6,3A
 Unit Weight: 0,4gr.
 Packing: Bulk 1000PCS
 Thickness: look order code

Technical Drawing



MOUNTING HOLES

Ordering Information

Serie	Thickness	ROHS	Packing			
R53014	NI35	R	B1			

NI35 = 0,35mm thickness Ni plated	R = ROHS Conform	B1 = 1000PCS in Poly Bag
	N = NON ROHS Conform	
NI40 = 0,40mm thickness Ni plated		
SN35 = 0,35mm thickness Sn plated		
SN40 = 0,40mm thickness Sn plated		

PCB FUSE CLIP	
Part No.:	R53014
Customer:	

DRW:	Jason	CHKD	Jules	MATL:	Wu	DATE	06.06.2009
APPD:	Join			FINISH	Shieh	Sheet	1 from 1