



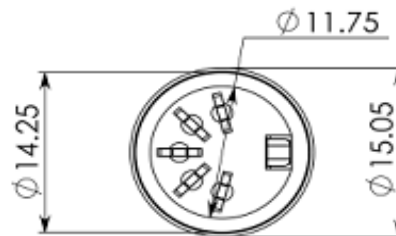
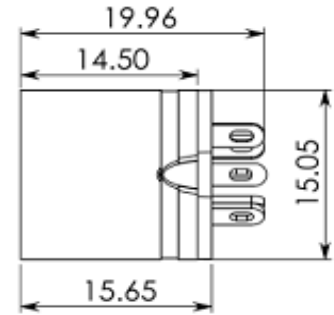
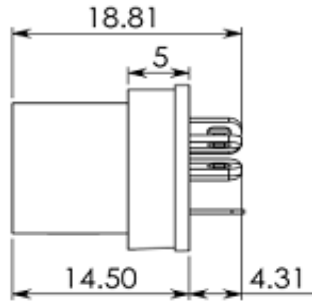
**Technical Specification**



Pos.

Shield Cover: Brass Nickel plated  
 Housing: ABS  
 GND Contactor: Phoeppor Bronze Nickel plated  
 Terminals: Copper Nickel plated

Rating: 100VAC 1A max.  
 Contact Resistance: Pin 30m Ohm max.  
 Shell 50m Ohm max.  
 Insulation Resistance: 100M Ohm at 500VDC min.  
 Voltage Withstanding: 250VAC for 1 minute



**Ordering Information**

Serie	Pos.	ROHS	Packing			
T20D007	8A	R	B			

	N= non ROHS	B= Bulk-Ware	
	R= ROHS	IN= individuell	

DIN CABLE MOLDING METALL COVER	
Part No.:	<b>T20D007</b>
Customer:	

DRW:	Jason	CHKD	Jules	MATL:	Wu	DATE	01.06.2007
APPD:	Join			FINISH	Shieh	Sheet	1 from 1