

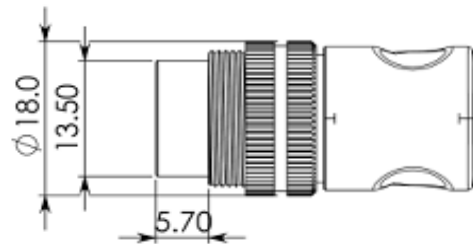
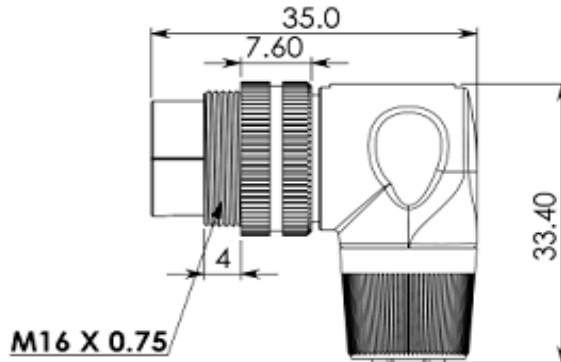


Technical Specification



Pos.

| | |
|------------------------|--|
| Shell Cover: | PA6 |
| Screw cap: | PA6 |
| Shield cover A | Steel nickel plated |
| Shield cover B | Steel nickel plated |
| O Ring | Brass Nickel plated |
| Srew | Brass Nickel plated |
| Housing: | ABS |
| Terminals: | Brass Silver plated |
| Rating: | 100VAC 1A max. |
| Contact Resistance: | Pin 30m Ohm max. Shell 50m Ohm max. |
| Insulation Resistance: | 100M Ohm at 500VDC min. |
| Voltage Withstanding: | 250VAC for 1 minute |



Ordering Information

| | | | | | | |
|---------|------|------|---------|--|--|--|
| Serie | Pos. | ROHS | Packing | | | |
| T20C031 | 5A | R | B | | | |

| | | | |
|--|-------------|-----------------|--|
| | N= non ROHS | B= Bulk-Ware | |
| | R= ROHS | IN= individuell | |
| | | | |

| | |
|--|----------------|
| DIN CABLE PLUG PLASTIC COVER RIGHT ANGLE M16 | |
| Part No.: | T20C031 |
| Customer: | |

| | | | | | | | |
|-------|-------|------|-------|--------|-------|-------|------------|
| DRW: | Jason | CHKD | Jules | MATL: | Wu | DATE | 01.06.2007 |
| APPD: | Join | | | FINISH | Shieh | Sheet | 1 from 1 |