



DATA SHEET

Double BNC R/A Connector

Serie: T55S1131

**Double BNC R/A
Connector**

Serie No.: **T55S1131**

Customer:

DRW:	Jason	CHKD	Wilson	MATL:	Wilson	TOLERANCE	Mason	DATE	30.03.2012
APPD:	Schumi			FINISH	Jamy		Sheet No.	1 from 5	

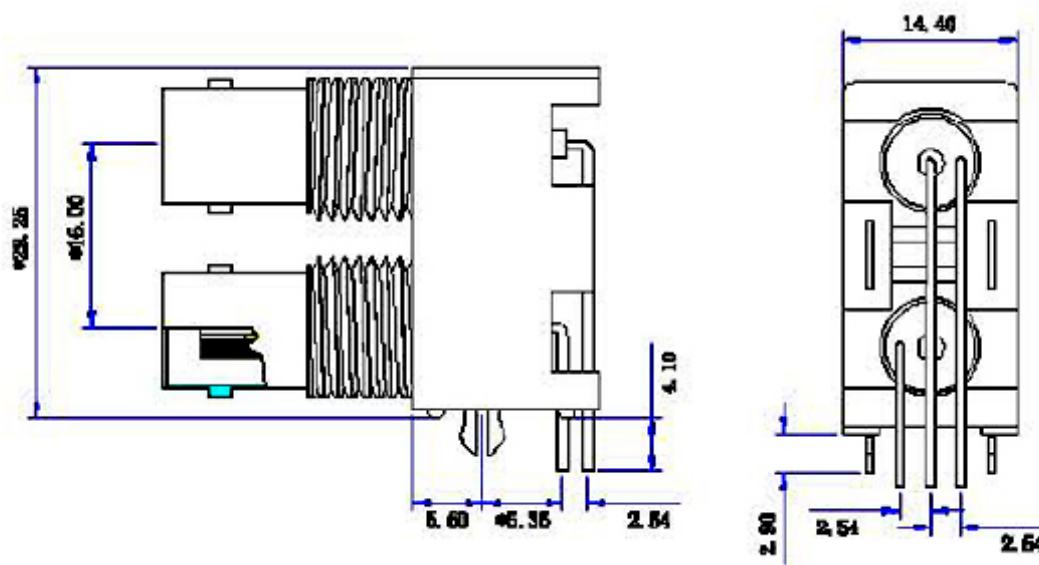
EDCON-COMPONENTS



Electrical Specifications

Insulation Resistance: 5000M Ohm
 Withstanding Voltage: 1500 VRMS
 Working Voltage: 500VRMS
 Operating Temperature Range: -55°C ~ +155°C
 Impedance: 50 Ohm

Technical Dimensions



Double BNC R/A Connector	
Part No.:	T55S1131
Customer:	

DRW:	Jason	CHKD	Wilson	MATL:	Wilson	TOLERANCE	Mason	DATE	30.03.2012
APPD:	Schumi			FINISH	Jamy		Sheet No.	2 from 5	

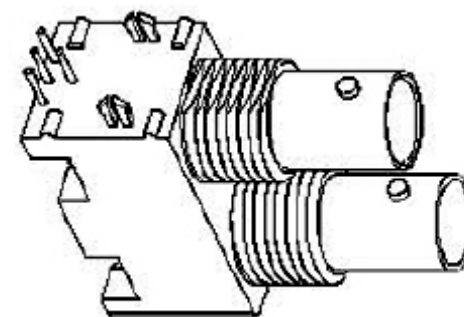
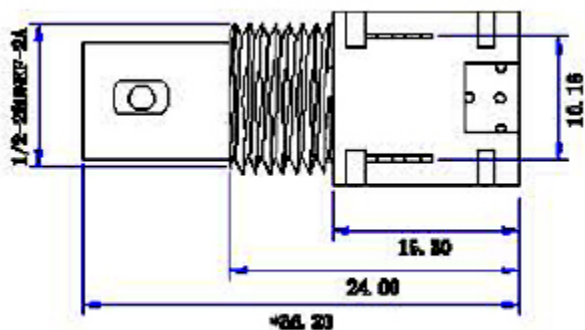
www.edcon-components.com

email: info@edcon-components.com

EDCON-COMPONENTS

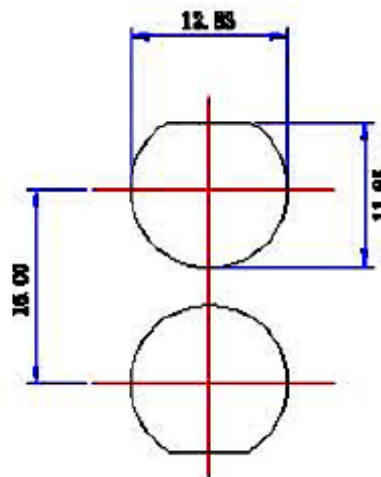
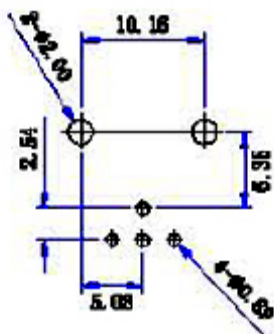


Technical Dimensions



Chassis Mount

PCB Layout



Double BNC R/A Connector

Part No.: **T55S1131**

Customer:

DRW:	Jason	CHKD	Wilson	MATL:	Wilson	TOLERANCE	Mason	DATE	30.03.2012
APPD:	Schumi			FINISH	Jamy		Sheet No.		3 from 5

www.edcon-components.com

email: info@edcon-components.com

EDCON-COMPONENTS



Ordering Informations

Serie	Contact Plating	Mounting	Special function	ROHS	Packing Code					
-------	-----------------	----------	------------------	------	--------------	--	--	--	--	--

T55S1131	AU	00	XX	R	TY					
-----------------	-----------	-----------	-----------	----------	-----------	--	--	--	--	--

AU= Gold Plating	00= W/o mounting screw	XX= No function	R= ROHS Conform	TY= Tray Packing
11= With mounting screw			N= NON ROHS Conform	BU= Bulk Packing

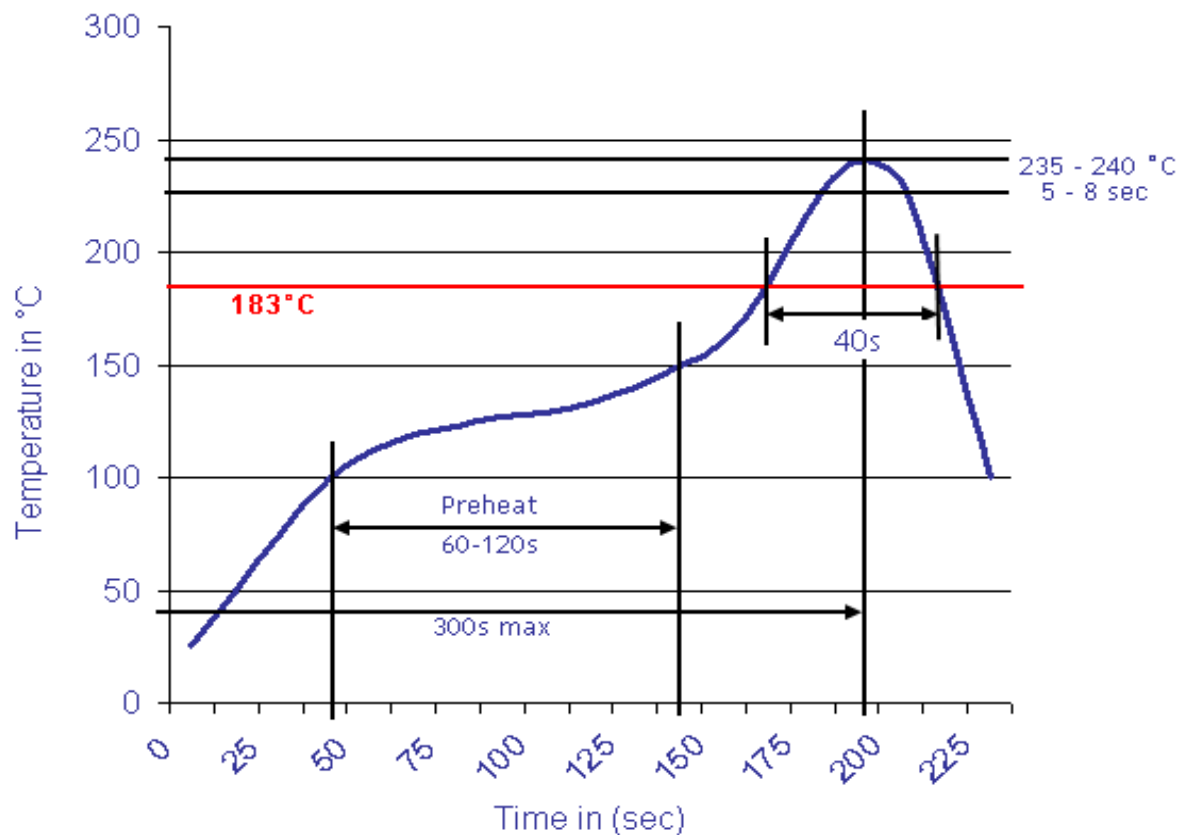
Double BNC R/A Connector	
Part No.:	T55S1131
Customer:	

DRW:	Jason	CHKD	Wilson	MATL:	Wilson	TOLERANCE	Mason	DATE	30.03.2012
APPD:	Schumi			FINISH	Jamy			Sheet No.	4 from 5



Soldering Profile Curve

Classification Reflow Profile (JEDEC J-STD-020C)



Double BNC R/A Connector	
Part No.:	T55S1131
Customer:	

DRW:	Jason	CHKD	Wilson	MATL:	Wilson	TOLERANCE	Mason	DATE	30.03.2012
APPD:	Schumi			FINISH	Jamy		Sheet No.	5 from 5	